

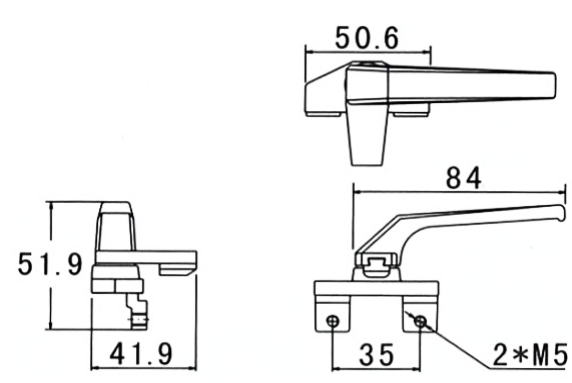




PROJECT		REF		REV	ITEM CODE	
LOCATION		DATE			PAGE	

CAM 7 HANDLE SERIES SPECIFICATION SHEET

Item Descriptions	C.H. (P.R.C.) 305G Cam 7 Handle - Right (Silver)	Illustration/ Drawing  
Dimension	100.84 x 41.9 x 51.9 mm	
Model	EB-18B	
Finish	Silver	
Origin	P.R.C.	
Manufacturer	C.H. (P.R.C.)	
Source	Ka Shing Enterprises (H.K) Limited Mr. Ivan Lau / Mr. GilmanYuen	
Contact Tel/Fax	(852) 2628-0661 / (852) 2490-2700	
E-mail	project@kashingehk.com	
Website	www.kashingehk.com	
<p>Specification: Product Name : Cam 7 Handle Material: Zinc Alloy Color: Silver Handle: Right Product Dimensions: 100.84 x 41.9 x 51.9 mm</p> <div style="text-align: center;">  </div>		

Note:

* All information of the above is for reference only. No prior notice is made if any changes.