




PROJECT		REF		REV	ITEM CODE	
LOCATION		DATE			PAGE	

CAM 7 HANDLE SERIES SPECIFICATION SHEET

Item Descriptions	C.H. (P.R.C.) 308L Cam 7 Handle - Right (Bronze)	<p>Illustration/ Drawing</p> 
Dimension	130 x 42.7 x 53.18 mm	
Model	EB-19B	
Finish	Bronze	
Origin	P.R.C.	
Manufacturer	C.H. (P.R.C.)	
Source	Ka Shing Enterprises (H.K) Limited Mr. Ivan Lau / Mr. GilmanYuen	
Contact Tel/Fax	(852) 2628-0661 / (852) 2490-2700	
E-mail	project@kashingehk.com	
Website	www.kashingehk.com	

Specification:

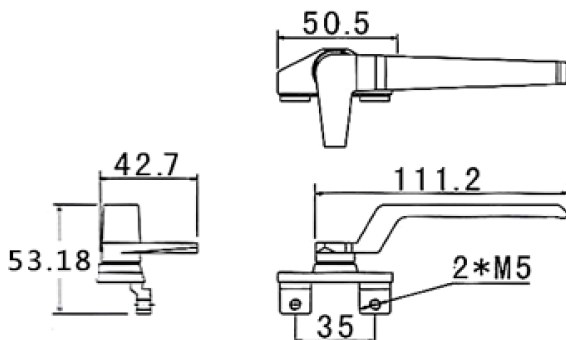
Product Name : Cam 7 Handle

Material: Zinc Alloy

Color: Bronze

Handle: Right

Product Dimensions: 130 x 42.7 x 53.18 mm



Note:

* All information of the above is for reference only. No prior notice is made if any changes.

