
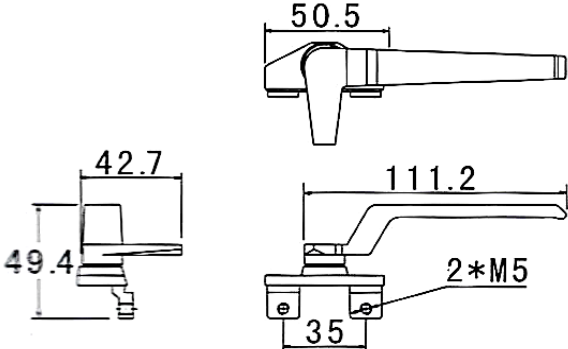




PROJECT		REF		REV	ITEM CODE	
LOCATION		DATE			PAGE	

CAM 7 HANDLE SERIES SPECIFICATION SHEET

<p>Item Descriptions</p> <p>Dimension</p> <p>Model</p> <p>Finish</p> <p>Origin</p> <p>Manufacturer</p> <p>Source</p> <p>Contact Tel/Fax</p> <p>E-mail</p> <p>Website</p>	<p>C.H. (P.R.C.) 308 Cam 7 Handle - Left / Right (Bronze)</p> <p>130 x 42.7 x 49.4 mm</p> <p>EB-18A</p> <p>Bronze</p> <p>P.R.C.</p> <p>C.H. (P.R.C.)</p> <p>Ka Shing Enterprises (H.K) Limited Mr. Ivan Lau / Mr. GilmanYuen</p> <p>(852) 2628-0661 / (852) 2490-2700 project@kashingehk.com www.kashingehk.com</p>	<p>Illustration/ Drawing</p> 
<p>Specification:</p> <p>Product Name : Cam 7 Handle</p> <p>Material: Zinc Alloy</p> <p>Color: Bronze</p> <p>Handle: Left / Right</p> <p>Product Dimensions: 130 x 42.7 x 49.4 mm</p> 		

Note:

* All information of the above is for reference only. No prior notice is made if any changes.