

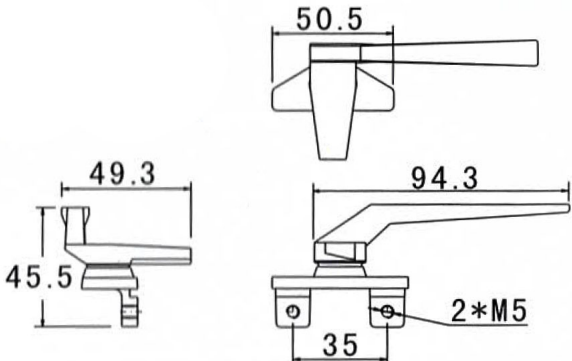


PROJECT		REF		REV	ITEM CODE	
LOCATION		DATE			PAGE	

## CAM 7 HANDLE SERIES SPECIFICATION SHEET

Item Descriptions	C.H. (P.R.C.) 307C Cam 7 Handle - Left / Right (Bronze)	Illustration/ Drawing  
Dimension	114.4 x 49.3 x 45.5 mm	
Model	EB-23	
Finish	Bronze	
Origin	P.R.C.	
Manufacturer	C.H. (P.R.C.)	
Source	Ka Shing Enterprises (H.K) Limited Mr. Ivan Lau / Mr. GilmanYuen	
Contact Tel/Fax	(852) 2628-0661 / (852) 2490-2700	
E-mail	project@kashingehk.com	
Website	www.kashingehk.com	

**Specification:**  
 Product Name : Cam 7 Handle  
 Material: Zinc Alloy  
 Color: Bronze  
 Handle: Left / Right  
 Product Dimensions: 114.4 x 49.3 x 45.5 mm



Note:

*\* All information of the above is for reference only. No prior notice is made if any changes.*