



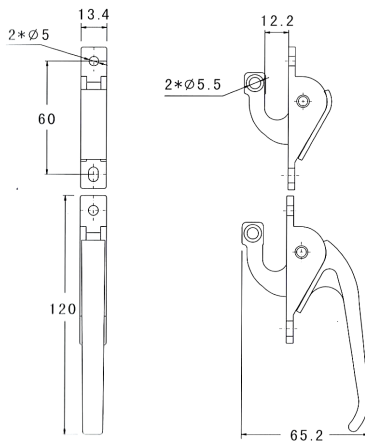
PROJECT		REF		REV	ITEM CODE	
LOCATION		DATE			PAGE	

DUAL LOCK SERIES SPECIFICATION SHEET

Item Descriptions	C.H. (P.R.C.) (346A) 306N Heavy Dual Lock Handle Set (Silver)	Illustration/ Drawing
Dimension	120 x 65.2 mm	
Model	EB-13	
Finish	Silver	
Origin	P.R.C.	
Manufacturer	C.H. (P.R.C.)	
Source	Ka Shing Enterprises (H.K) Limited Mr. Ivan Lau / Mr. Gilman Yuen	
Contact Tel/Fax	(852) 2628-0661 / (852) 2490-2700	
E-mail	project@kashingehk.com	
Website	www.kashingehk.com	

Specification:

Product Name : Heavy Dual Lock Handle Set
 Material: Zinc Alloy
 Color: Silver
 Product Dimensions: 120 x 65.2 mm
 Usage: Suitable for side hung window use



Note:

* All information of the above is for reference only. No prior notice is made if any changes.