



PROJECT		REF		REV	ITEM CODE	
LOCATION		DATE			PAGE	

DUAL LOCK SERIES SPECIFICATION SHEET

Item Descriptions	C.H. (P.R.C.) 306A Dual Lock Handle Set (Sliver)	Illustration/ Drawing
Dimension	116.8 x 64.7 mm	
Model	EB-11	
Finish	Sliver	
Origin	P.R.C.	
Manufacturer	C.H. (P.R.C.)	
Source	Ka Shing Enterprises (H.K) Limited Mr. Ivan Lau / Mr. GilmanYuen	
Contact Tel/Fax	(852) 2628-0661 / (852) 2490-2700	
E-mail	project@kashingehk.com	
Website	www.kashingehk.com	

Specification:

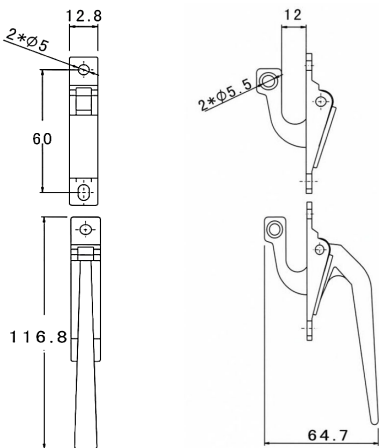
Product Name : Dual Lock Handle Set

Material: Zinc Alloy

Color: Sliver

Product Dimensions: 116.8 x 64.7mm

Usage: Suitable for side hung window use



Note:

* All information of the above is for reference only. No prior notice is made if any changes.