



PROJECT		REF		REV	ITEM CODE	
LOCATION		DATE			PAGE	

## NON-ADJUSTABLE ROLLER SPECIFICATION SHEET

Item Descriptions	C.H. (P.R.C.) Non-Adjustable Brass Roller	Illustration/ Drawing
Dimension	67.79 x 65 x 22.5 mm	
Model	EB-6	
Finish	Brass	
Origin	P.R.C.	
Manufacturer	C.H. (P.R.C.)	
Source	Ka Shing Enterprises (H.K.) Limited Mr. Ivan Lau / Mr. GilmanYuen	
Contact Tel/Fax	(852) 2628-0661 / (852) 2490-2700	
E-mail	project@kashingehk.com	
Website	www.kashingehk.com	

**Features:**

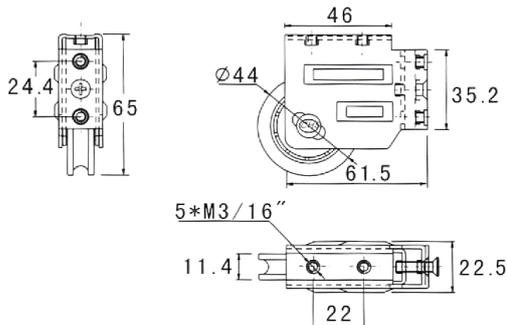
- Suitable For Sliding Window Door Roller Wheel.
- Solid Structure For Durable Usage Life
- Made With Quality Bearings, Provide Smooth Performace
- High Quality Roller Wheel For Smooth Operation

**Specification:**

Product Name : Non-Adjustable Roller

Material: Brass

Mount Type: Side &amp; Top

**Note:**

\* All information of the above is for reference only. No prior notice is made if any changes.