
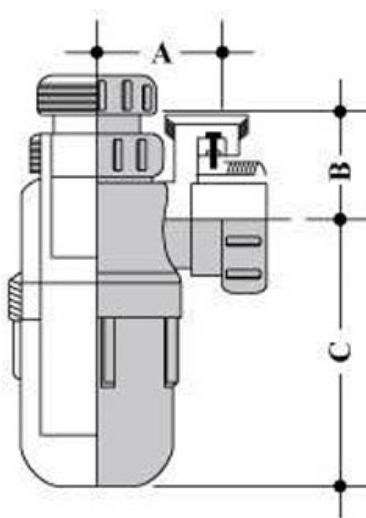




PROJECT		REF		REV	ITEM CODE	
LOCATION		DATE			PAGE	

SANITARY WARE SPECIFICATION SHEET

<p>Item Descriptions</p> <p>Nom. Size</p> <p>Model</p> <p>Finish</p> <p>Origin</p> <p>Manufacturer</p> <p>Source</p> <p>Contact Tel/Fax</p> <p>E-mail</p> <p>Website</p>	<p>CHAMPION (P.R.C.) Anti-siphon plastic bottle trap</p> <p>32 mm and 40 mm</p> <p>7202-03</p> <p>White</p> <p>P.R.C.</p> <p>CHAMPION (P.R.C.)</p> <p>Ka Shing Enterprises (H.K) Limited Mr. Ivan Lau / Mr. GilmanYuen</p> <p>(852) 2628-0661 / (852) 2490-2700 project@kashingehk.com www.kashingehk.com</p>	<p>Illustration/ Drawing</p>  																
<p>Feature:</p> <ul style="list-style-type: none"> - Anti-Siphon - Adjustable tube inlet - Compression joint outlet <p>In compliance with:</p> <p>BS EN 274-1: 2002; BS EN 274-2: 2002; BS EN 274-3: 2002</p>																		
<table border="1"> <thead> <tr> <th>Anti-Siphon</th> <th>Water Seal (mm)</th> <th>Adjustable tube inlet</th> <th>Adjustable tube outlet</th> <th>Compression joint outlet</th> <th>A (mm)</th> <th>B (mm)</th> <th>C (mm)</th> </tr> </thead> <tbody> <tr> <td>*</td> <td>80</td> <td>*</td> <td></td> <td>*</td> <td>52</td> <td>46-150</td> <td>125</td> </tr> </tbody> </table>		Anti-Siphon	Water Seal (mm)	Adjustable tube inlet	Adjustable tube outlet	Compression joint outlet	A (mm)	B (mm)	C (mm)	*	80	*		*	52	46-150	125	
Anti-Siphon	Water Seal (mm)	Adjustable tube inlet	Adjustable tube outlet	Compression joint outlet	A (mm)	B (mm)	C (mm)											
*	80	*		*	52	46-150	125											

Note:

* All information of the above is for reference only. No prior notice is made if any changes.