



PROJECT		REF		REV	ITEM CODE	
LOCATION		DATE			PAGE	

DOOR CLOSER SPECIFICATION SHEET

<p>Item Descriptions</p> <p>Dimensions</p> <p>Model</p> <p>Finish</p> <p>Origin</p> <p>Manufacturer</p> <p>Source</p> <p>Contact Tel/Fax</p> <p>E-mail</p> <p>Website</p>	<p>RYOBI (Japan) Surface Mounted Door Closer</p> <p>165 x 69 x 64.5 mm</p> <p>9903</p> <p>Sliver</p> <p>Japan</p> <p>RYOBI (Japan)</p> <p>Ka Shing Enterprises (H.K.) Limited Mr. Ivan Lau / Mr. Gilman Yuen</p> <p>(852) 2628-0661 / (852) 2490-2700 project@kashingehk.com www.kashingehk.com</p>	<p>Illustration/ Drawing</p>   <p>A. Closing speed range 180°-10° B. Latching speed range 10°-0°</p>  <p>CLOSING SPEED VALVE</p> <p>LATCHING SPEED VALVE</p>        
<p>Full Hydraulic Control Controls the door through the entire opening and closing sequence, and an adjustably controlled latch speed through the closing cycle.</p> <p>High Durability RYOBI door closers are manufactured using high strength pressure die-cast aluminum body's, precision machined components and reversible rack & pinion mechanism. The model is guaranteed to 500,000 opening/closing cycles for extended trouble free service.</p> <p>Adjustment Closing and latching speeds are quickly adjusted to suit your individual need by rotating the two speed control valves.</p> <p>Easy Installation Installation is made quick and easy by using the mounting template. The 9903 door closer is available standard mounting.</p> <p>Latching Power Adjustment By changing the position of the frame arm of the foot bracket the closing force of the latch can be increased or decreased. This adjustment can be achieved whilst the foot bracket is in position.</p>		

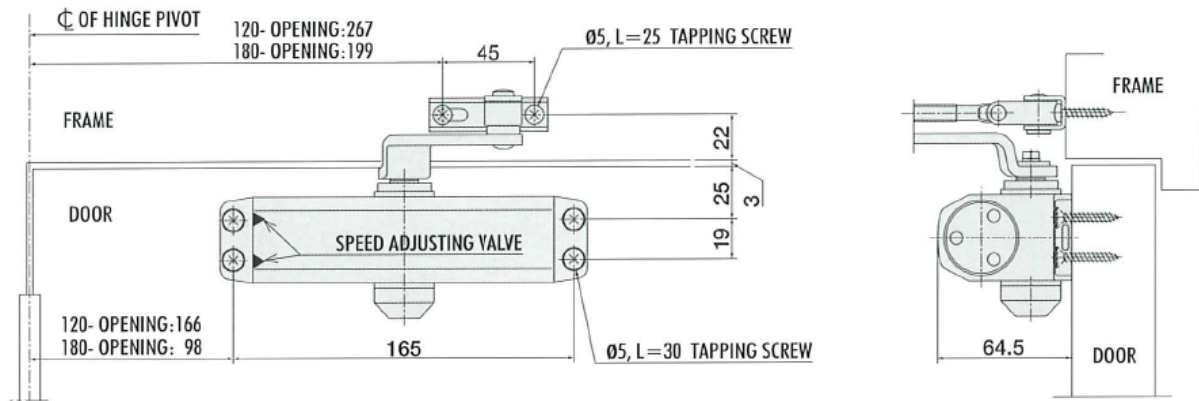
Note:

* All information of the above is for reference only. No prior notice is made if any changes.

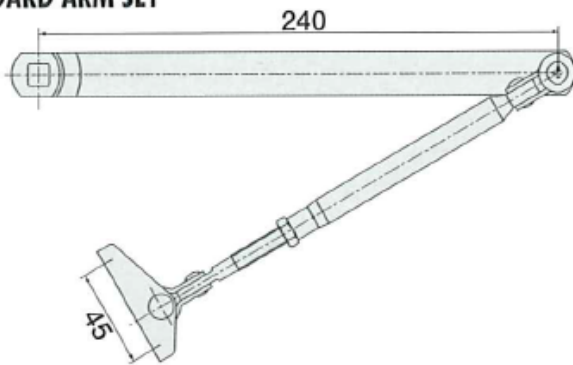
Application

SIZE	STANDARD APPLICATION		MAX. DOOR WEIGHT ≤65KG	MAX. DOOR WIDTH ≤965mm
	WITHOUT COVER	WITH COVER		
3	9903	9953		

Drawing:



STANDARD ARM SET



SLIM COVER

