
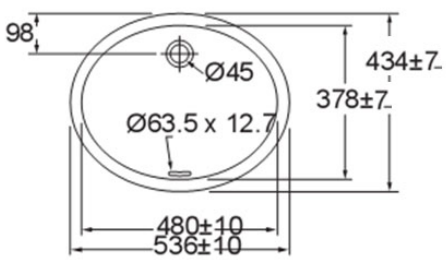
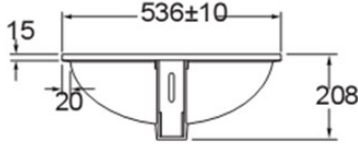
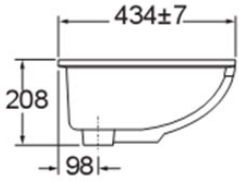




PROJECT		REF		REV	ITEM CODE	
LOCATION		DATE			PAGE	

SANITARY WARE SPECIFICATION SHEET

Item Descriptions	American Standard (Thailand) "Ovalyn" Vitreous china undercounter lavatory; complied with BS 3402:1969 & BS 1188:1974; test report QC 2023-002	Illustration/ Drawing
Dimensions	L536 x W434 x H208 mm	   
Model	TF470LM	
Colour	White	
Material	Vitreous China	
Manufacturer	American Standard (Thailand)	
Source	Ka Shing Enterprises (H.K) Limited Mr. Ivan Lau / Mr. GilmanYuen	
Contact Tel/Fax	(852) 2628-0661 / (852) 2490-2700	
E-mail	kashing.project@gmail.com	
Website	www.kashingehk.com	

Note:

* All information of the above is for the reference only. No prior notice is made if any changes.