
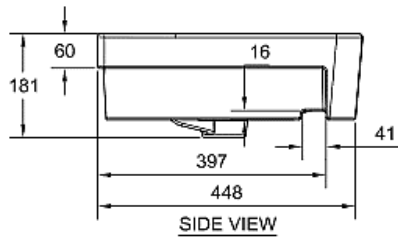
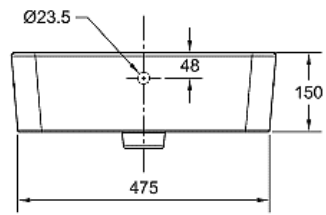
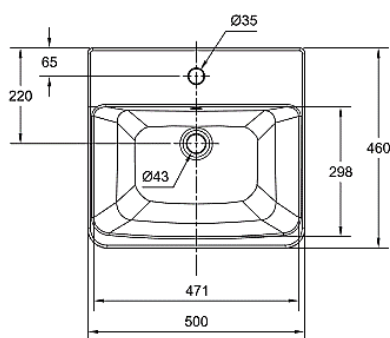




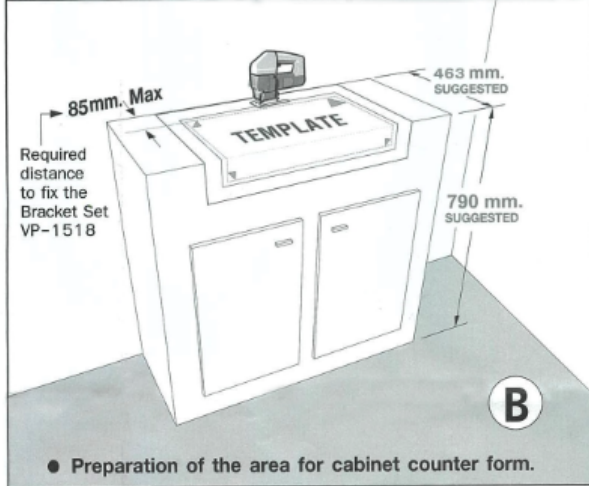
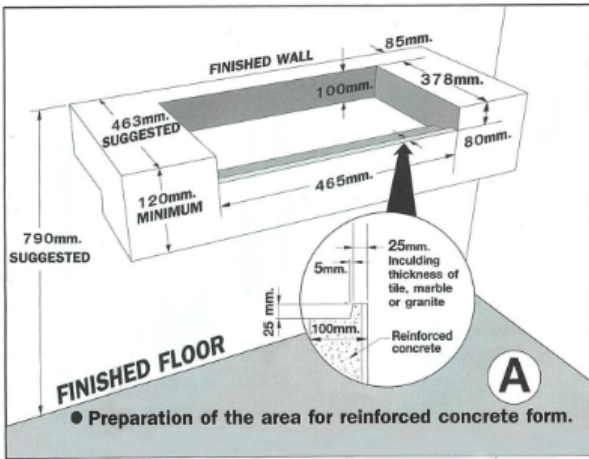
PROJECT		REF		REV	ITEM CODE	
LOCATION		DATE			PAGE	

SANITARY WARE SPECIFICATION SHEET

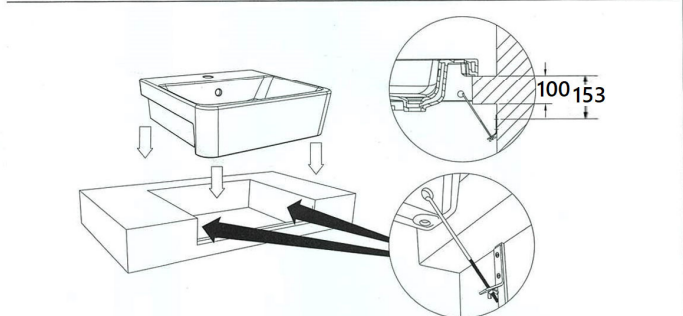
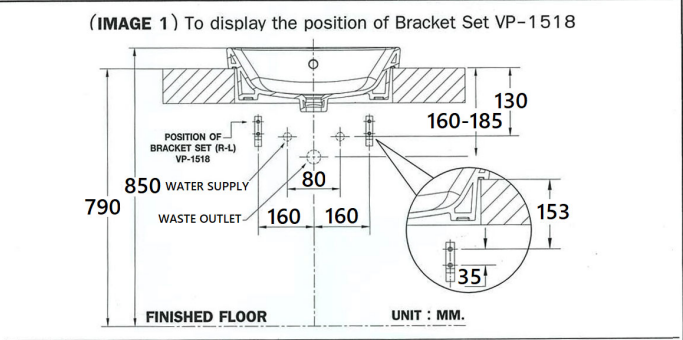
<p>Item Descriptions</p> <p>American Standard (Thailand) "Acacia Evolution" Vitreous china semi-countertop wash basin; tested on BS1188:1974 & BS3402:1969; test report J27468</p>	<p>Dimensions</p> <p>L500 x W460 x H181 mm</p>	<p style="text-align: center;">Illustration/ Drawing</p>   <p style="text-align: center;">SIDE VIEW</p>  <p style="text-align: center;">FRONT VIEW</p>  <p style="text-align: center;">TOP VIEW</p>
<p>Model</p> <p>TF0519</p>	<p>Material/Colour</p> <p>Vitreous China</p>	
<p>Manufacturer</p> <p>American Standard (Thailand)</p>	<p>Source</p> <p>Ka Shing Enterprises (H.K) Limited Mr. Ivan Lau / Mr. Gilman Yuen</p>	
<p>Contact Tel/Fax</p> <p>(852) 2628-0661 / (852) 2490-2700</p>	<p>E-mail</p> <p>kashing.project@gmail.com</p>	
<p>Website</p> <p>www.kashingehk.com</p>	<p>Website</p> <p>www.kashingehk.com</p>	
<p>· An anti-bacterial glaze keeps the basin clean and effectively inhibits bacteria growth that can cause bad odour. Its anti-bacterial effectiveness lasts as long as the lifetime of the product</p>		
<p>Note: Equivalent to CCASF519-1010411C0 / CP-F519.001</p>		

* All information of the above is for the reference only. No prior notice is made if any changes.

AREA PREPARATION FOR INSTALLATION.



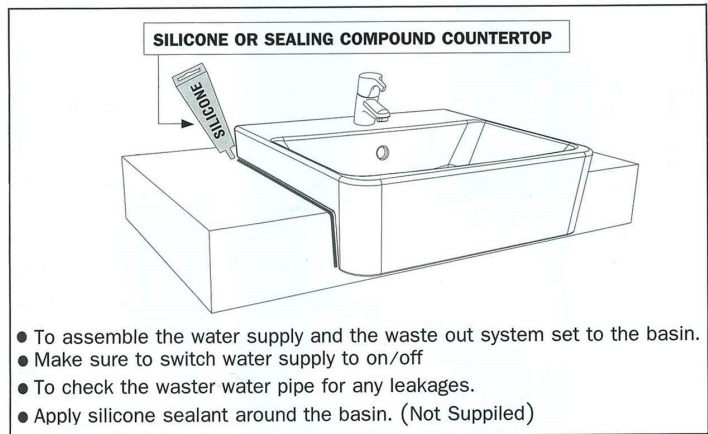
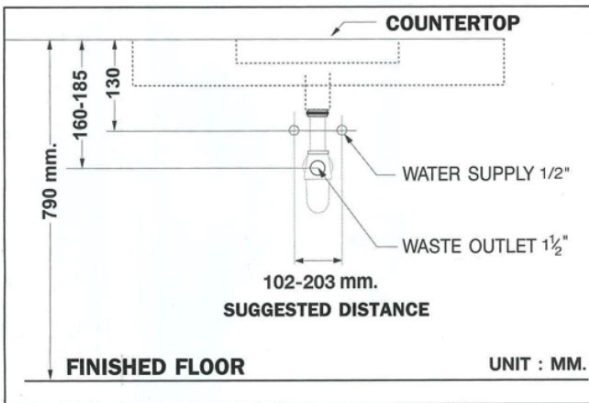
THE PREPARATION TO INSTALL THE BRACKET SET VP-1518



(IMAGE 2) To display the installation of Bracket Set VP-1518

- Install the Bracket Set VP-1518 into a wall in a fix area.(IMAGE 1)
- Install the faucet, water supply hose and the drain into the basin.
- Put the basin on the counter in a fix position.
- To hitch a Bracket Set VP-1518 with the basin.(IMAGE 2)

AREA PREPARATION FOR INSTALLATION OF THE WATER SUPPLY AND THE WASTE PIPE.



REMARK :

THE BRACKET SET VP-1518 WAS PREPARED WITH THE PRODUCT.

