
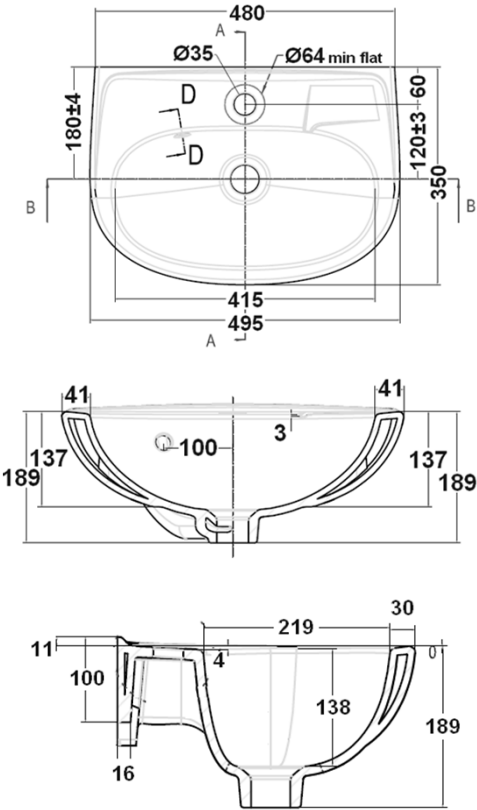




PROJECT		REF		REV	ITEM CODE	
LOCATION		DATE			PAGE	

SANITARY WARE SPECIFICATION SHEET

<p>Item Descriptions</p> <p>American Standard (Thailand) "New Codie" Vitreous china wall hung washbasin; tested on BS 1188:1974 & BS 3402:1969; test report J 27663 & QC-2112-002</p> <p>Dimensions</p> <p>W495 x L350 x H189 mm</p> <p>Model</p> <p>TF0945</p> <p>Material/Colour</p> <p>Vitreous China / White</p> <p>Manufacturer</p> <p>American Standard (Thailand)</p> <p>Source</p> <p>Ka Shing Enterprises (H.K) Limited Mr. Ivan Lau / Mr. GilmanYuen</p> <p>Contact Tel/Fax</p> <p>(852) 2628-0661 / (852) 2490-2700</p> <p>E-mail</p> <p>kashing.project@gmail.com</p> <p>Website</p> <p>www.kashingehk.com</p>	<p style="text-align: center;">Illustration/ Drawing</p>   <p>The technical drawing includes three views: a top view showing a rectangular basin with rounded corners, a side view showing the depth and height, and a front view showing the basin's profile and mounting bracket. Dimensions are provided in millimeters.</p>
---	---

Note: Equivalent to TF0945 / CP-0240 / WP-0240.001.04

* All information of the above is for the reference only. No prior notice is made if any changes.