
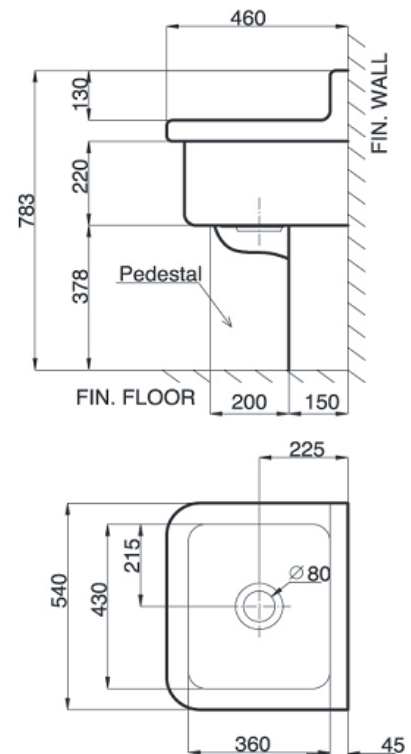




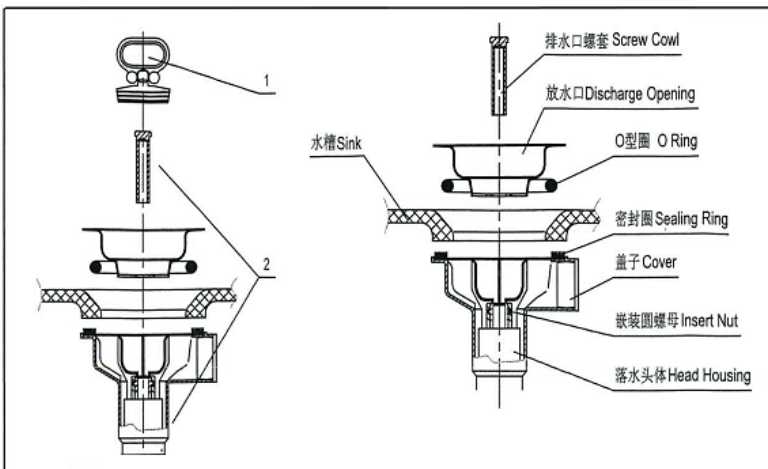
|          |  |      |  |     |           |  |
|----------|--|------|--|-----|-----------|--|
| PROJECT  |  | REF  |  | REV | ITEM CODE |  |
| LOCATION |  | DATE |  |     | LEGEND    |  |

**SANITARY WARE SPECIFICATION SHEET**

|                   |  |   |
|-------------------|--|---|
| Item Descriptions | American Standard (PRC) Fireclay utility sink c/w pedestal and waste | <p>Illustration/ Drawing</p>  |
| Dimensions        | L540 x W460 x H783 mm  |   |
| Model             | CP-F203.000 (Sink)<br>CP-9203.000 (Pedestal)                         |   |
| Material /Colour  | Fireclay/ White  |   |
| Manufacturer      | American Standard (PRC)  |   |
| Source            | Ka Shing Enterprises (H.K) Limited<br>Mr. Ivan Lau / Mr. GilmanYuen  |   |
| Contact Tel/Fax   | (852) 2628-0661 / (852) 2490-2700                                    |   |
| E-mail<br>Website | kashing.project@gmail.com<br>www.kashingehk.com                      |   |



**单头公用水槽落水安装图**  
**Single Head Utility Sink**  
**Trap Installation Instruction**



**Note:** The waste is fitted to 40mm bottle trap which shall be ordered separately

\* All information of the above is for the reference only. No prior notice is made if any changes.