



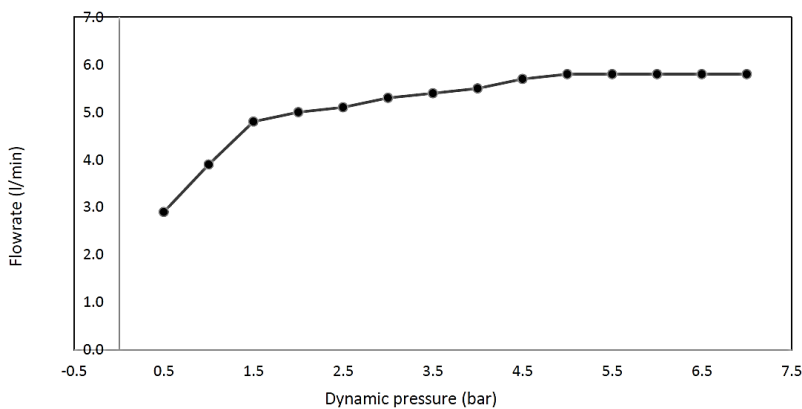
PROJECT		REF		REV	ITEM CODE	
LOCATION		DATE			PAGE	

SANITARY WARE SPECIFICATION SHEET

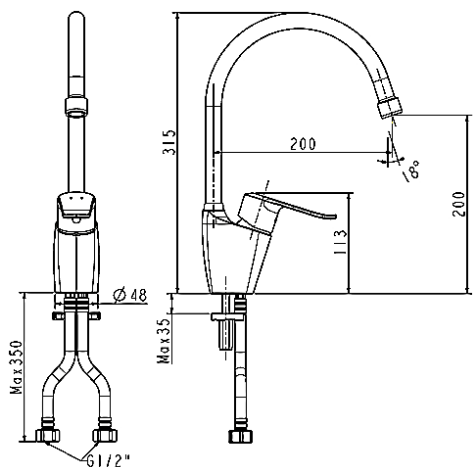
Item Descriptions	American Standard (PRC) "Neo Modern" Low-lead chrome plated kitchen mixer; nominated flow rate 4.8 l/min in WELS Grade 1 ; Registration No. TM 18-0156	
Model	CF-5624.501.5L (Mixer) 40.0056.000 (Aerator)	
Finish	Chrome Plated	
Manufacturer	American Standard (PRC)	
Source	Ka Shing Enterprises (H.K.) Limited Mr. Ivan Lau / Mr. Gilman Yuen	
Contact Tel/Fax	(852) 2628-0661 / (852) 2490-2700	
E-mail	kashing.project@gmail.com	
Website	www.kashingehk.com	

Detail specifications

- Neo Modern Deck Mounted Kitchen Mixer
- 35#Ceramic Disc Cartridge
- Water pressure: 0.1Mpa~0.5Mpa



Dynamic flow pressure (kPa)	50	150	250	350	500
Flow rate (l/min)	2.63	4.45	4.98	5.00	5.40



Note: Equivalent to WF-5624.501.5L / FFAS5624-5015L0BC0

* All information of the above is for the reference only. No prior notice is made if any changes.

註冊號碼 (Registration No.): TM 18-0156



自願參與用水效益標籤計劃 - 水龍頭
Voluntary Water Efficiency Labelling Scheme - Water Taps


Certificate of Registration
註冊證書



茲證明
This is to certify that

將下列水龍頭在本計劃內註冊：
has registered the following water tap under this scheme :

牌子 / Brand	:	American Standard
型號 / Model	:	CF-5624.501.5L + 40.0056.000
種類 / Type	:	Mixing
原產地 / Country or Region Origin	:	China

在用水效益標籤上展示的標誌 <i>Symbolic Presentation on the Water Efficiency Label</i>	:		滴水點 <i>Water droplet(s)</i>
用水效益級別 <i>Water Efficiency Grade</i>	:	1	
耗水量 <i>Water Consumption</i>	:	4.8	公升/分鐘 <i>litres/minute</i>

簽發日期: 6 July 2018
Date of Issue:

 水務署
Water Supplies Department



水務署署長(周世威代行)
for Director of Water Supplies



水務署
Water Supplies Department

總部 Headquarters

香港灣仔告士打道七號入境事務大樓 48 樓

48/F, Immigration Tower, 7 Gloucester Road, Wan Chai, Hong Kong

本署檔號 : (6) in WSD 3321/2022 T/J(1237/2022)
Our ref.
來函檔號 :
Your ref.

電話 :
Tel.
傳真 : 2824 0578
Fax.

20 December 2022



Dear Sir,

Approval of "AMERICAN STANDARD" Sink Mixer
(General Acceptance No. C20221156)

Your letters ref. WRC/2804 dated 24 October 2022 and subsequent submissions received by this department up to 8 December 2022 refer.

Having considered the test report ref. J27082Ar1 issued on 18 November 2022 by Nutek Systems (HK) Ltd., this Authority accepts that the fitting described below complies with, and its use when correctly installed does not contravene, the Waterworks Ordinance and Regulations.

Name of Manufacturer: Jiangmen LIXIL AS Sanitary Fitting Manufacturing Co Ltd

Country of Origin: the Mainland of China

Brand: American Standard

Details of Fitting: 1/2" Single lever sink mixer

Model: CF-5624.501.5L

Body Markings: *American Standard*

Expiry Date: 6 October 2026



This Authority hereby permits the use of the above fitting in fresh water plumbing systems subject to full adherence to Waterworks installation requirements. In particular, you are required to draw your customers' attention to the following requirement-

"The cold water supply to the fitting shall be drawn from the same source that supplies the hot water apparatus so as to provide a balanced pressure and to obviate the risk of scalding in the event of a restriction or failure in the water supply."

A condition of this acceptance is that the fitting to be installed shall be replicas of the sample as certified by the testing agent mentioned above and without modifications. This acceptance may be withdrawn at any time if the standard of the fitting installed fails to meet that of the approved sample or if the fitting is found to be unsuitable for use in fresh water plumbing systems.

This acceptance is only applicable to the main body of the fitting, unless otherwise specified.

For the use of the fitting in any project, the General Acceptance Number of this letter must be quoted as a means of identification of acceptance of the fitting by this Authority.

Should you have any enquiries, please contact our Engineer Ms Winnie LO at tel. no. 3583 4086.

Yours faithfully,



(YAU Hau Yin)

for Director of Water Supplies

Encl.

c.c. WSD 3321/1/82] - without catalogue
ME/MC] - with soft copy only