
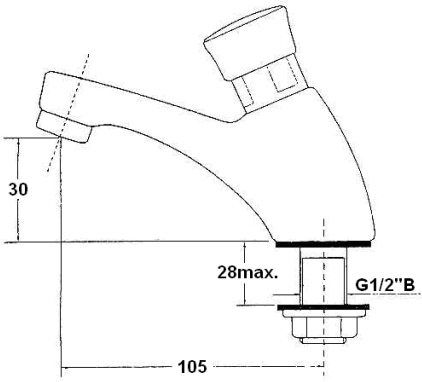
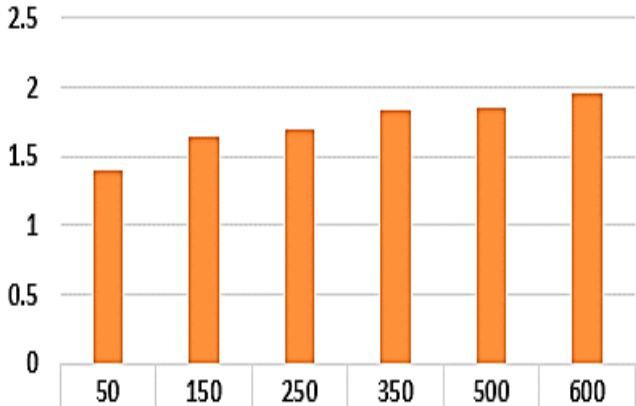




PROJECT		REF		REV	ITEM CODE	
LOCATION		DATE			CODE	

## SANITARY WARE SPECIFICATION SHEET

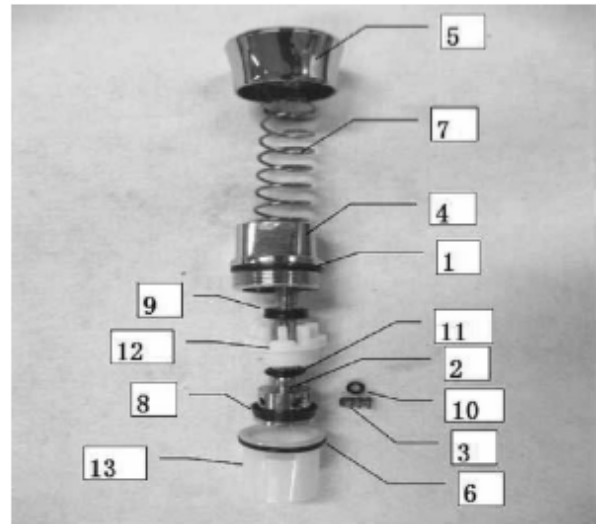
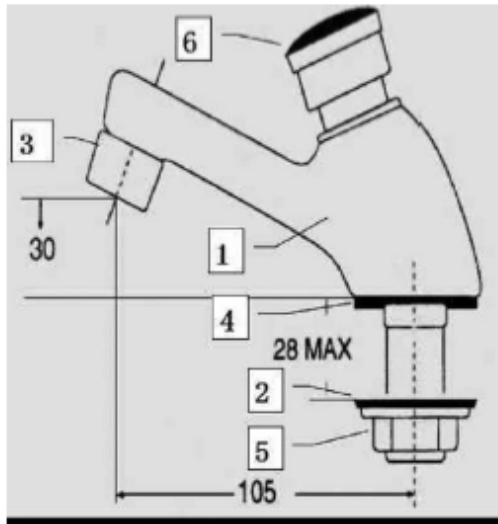
<p><b>Item Descriptions</b></p> <p>American Standard (Thailand) "Cool" Brass chrome plated self closing tap; Nominal flow rate <b>1.6L/Min</b> in WELS <b>Grade 1</b> ; Registration No. TN 22-0015</p> <p><b>Dimensions</b></p> <p>Refer to drawing</p> <p><b>Model</b></p> <p>A-2400-N (Water Tap) 403986040 (Aerator)</p> <p><b>Finish</b></p> <p>Brass Chrome Plated</p> <p><b>Manufacturer</b></p> <p>American Standard (Thailand)</p> <p><b>Source</b></p> <p>Ka Shing Enterprises (H.K) Limited Mr. Ivan Lau / Mr. Gilman Yuen</p> <p><b>Contact Tel/Fax</b></p> <p>(852) 2628-0661 / (852) 2490-2700</p> <p><b>E-mail</b></p> <p>kashing.project@gmail.com</p> <p><b>Website</b></p> <p>www.kashingehk.com</p>	<p><b>Illustration/ Drawing</b></p>  														
 <table border="1" style="margin-top: 10px;"> <thead> <tr> <th>Dynamic Flow Pressure (kPs)</th> <th>Flow rate (L/Min)</th> </tr> </thead> <tbody> <tr> <td>50</td> <td>1.4</td> </tr> <tr> <td>150</td> <td>1.65</td> </tr> <tr> <td>250</td> <td>1.7</td> </tr> <tr> <td>350</td> <td>1.83</td> </tr> <tr> <td>500</td> <td>1.85</td> </tr> <tr> <td>600</td> <td>1.96</td> </tr> </tbody> </table>		Dynamic Flow Pressure (kPs)	Flow rate (L/Min)	50	1.4	150	1.65	250	1.7	350	1.83	500	1.85	600	1.96
Dynamic Flow Pressure (kPs)	Flow rate (L/Min)														
50	1.4														
150	1.65														
250	1.7														
350	1.83														
500	1.85														
600	1.96														

Note:

\* All information of the above is for the reference only. No prior notice is made if any changes.

# COMMERCIAL FITTINGS

## A-2400 N- SELF CLOSING TAP 1/2"



A-2400-N- SELF CLOSING TAP 1/2"			
Sr. No..	Part No.	Part Name	Qty.
1	T600240	Cool Self Closing Tap Body	1
2	A913253	Fiber Ring 45X22x1.7 Mm.	1
3	01.06383.0	Perlator	1
4	T911730	Rubber Seal	1
5	T906637	Plastic Look Nut 1/2 Inc	1
6	T603500	Valve Set	1
T603500- VALVE SET			
Sr. No	Part No.	Part Name	Qty.
1	A912662	O-Ring (53026) Size 2.8X1.5 Mm.	1
2	T603500.01	Valve Rod	1
3	T603500.02	Adjust Screw M5x0.8 Mm.	1
4	T603500.03	Square Holder M28x1.5 Mm.	1
5	T603500.05	Cap Holder	1
6	T603500.07	Packing Seal 25X22x1.5	1
7	T603500.10	Spring Code 1581601199	1
8	T603500.11	U-Packing 20.5X12.2x4.1 Mm.	1
9	T603500.12	U-Packing 14X8.4x4.1 Mm.	1
10	T603500.13	O-Ring 12X6.5x2.62 Mm.	1
11	T603500.14	O-Ring 23X1.7 Mm.	1
12	T603500.15	Supportting Sleeve (1592241509)	1
13	T603500.16	Halt Water Seat (1580350109)	1



自願參與用水效益標籤計劃 - 水龍頭  
Voluntary Water Efficiency Labelling Scheme - Water Taps

Certificate of Registration  
註冊證書




茲證明

This is to certify that

將下列水龍頭在本計劃內註冊：  
has registered the following water tap under this scheme :

牌子 / Brand	:	American Standard + Grohe
型號 / Model	:	A-2400-N + 403986040
種類 / Type	:	Non-mixing
原產地 / Country or Region Origin	:	Thailand (Tap) Germany (Flow Controller)

在用水效益標籤上展示的標誌 <i>Symbolic Presentation on the Water Efficiency Label</i>	:		滴水點 <i>Water droplet(s)</i>
用水效益級別 <i>Water Efficiency Grade</i>	:	1	with additional merit*
耗水量 <i>Water Consumption</i>	:	1.6	公升/分鐘 <i>litres/minute</i>

\*with additional merit of "Automatic closing mechanism"

簽發日期: 7 January 2022  
Date of Issue:

 水務署  
Water Supplies Department



水務署署長(尤孝賢代行)  
for Director of Water Supplies



水務署  
Water Supplies Department

總部 Headquarters  
香港灣仔告士打道七號入境事務大樓 48 樓  
48/F, Immigration Tower, 7 Gloucester Road, Wan Chai, Hong Kong

本署檔號 : (2) in WSD 3321/2021 T/J(1564/2021)  
Our ref.  
來函檔號 :  
Your ref.

電話 :  
Tel.  
傳真 : 2824 0578  
Fax.

29 November 2021



**Approval of “AMERICAN STANDARD” Self Closing Tap  
(General Acceptance No. C20211335)**

Your letter ref. WRC/2675 dated 20 October 2021 refers.

Having considered the test report ref. J26811 issued on 16 September 2021 by Nutek Systems (HK) Ltd., this Authority accepts that the fitting described below complies with, and its use when correctly installed does not contravene, the Waterworks Ordinance and Regulations.

**Name of Manufacturer:** LIXIL (Thailand) Public Company Limited

**Country of Origin:** Thailand

**Brand:** American Standard

**Details of Fitting:** 1/2" Self closing tap

**Model:** A-2400-N

**Body Markings:** *American Standard*

**Expiry Date:** 19 July 2026



This Authority hereby permits the use of the above fitting in fresh water plumbing systems subject to full adherence to Waterworks installation requirements.

A condition of this acceptance is that the fitting to be installed shall be replicas of the sample as certified by the testing agent mentioned above and without modifications. This acceptance may be withdrawn at any time if the standard of the fitting installed fails to meet that of the approved sample or if the fitting is found to be unsuitable for use in fresh water plumbing systems.

This acceptance is only applicable to the main body of the fitting, unless otherwise specified.

For the use of the fitting in any project, the General Acceptance Number of this letter must be quoted as a means of identification of acceptance of the fitting by this Authority.

Should you have any enquiries, please contact our Engineer Ms Winnie LO at tel. no. 3583 4086.

Yours faithfully,



(Roger WONG)  
for Director of Water Supplies

Encl.

c.c.     WSD 3321/1/82   ] - without catalogue  
          ME/MC         ] - with soft copy only