
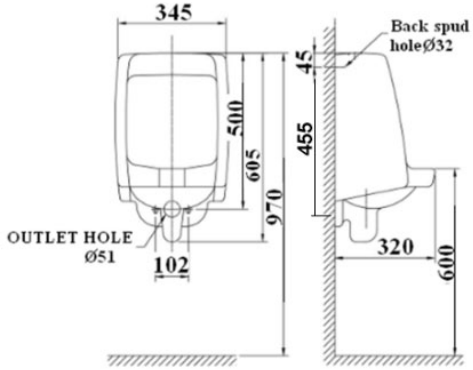




PROJECT		REF		REV	ITEM CODE	
LOCATION		DATE			PAGE	

SANITARY WARE SPECIFICATION SHEET

<p>Item Descriptions</p> <p>Dimensions</p> <p>Model</p> <p>Materials / Colour</p> <p>Manufacturer</p> <p>Source</p> <p>Contact Tel/Fax</p> <p>E-mail</p> <p>Website</p>	<p>American Standard (PRC) "Mini Washbrook" Wall hung back spud urinal; 1.3 LPF in WELS Grade 1; Registration No. 1U 21-0041</p> <p>L345 x W320 x H605 mm</p> <p>CP-6401.322.04</p> <p>Vitreous China / White Heat II</p> <p>American Standard (PRC)</p> <p>Ka Shing Enterprises (H.K.) Limited Mr. Ivan Lau / Mr. Gilman Yuen</p> <p>(852) 2628-0661 / (852) 2490-2700 project@kashingehk.com www.kashingehk.com</p>	<p>Illustration/ Drawing</p>  
---	--	--

Note:



Urinal ceramic sieve
model: VP-1818

註冊號碼 (Registration No.): 1U 21-0041



自願參與用水效益標籤計劃 - 小便器用具
Voluntary Water Efficiency Labelling Scheme - Urinal Equipment



CO-6401.322.04.9
=CP-6401.322.04

Certificate of
Registration

註冊證書

茲證明

This is to certify that

將下列小便器用具在本計劃內註冊：
has registered the following urinal equipment under this scheme :

牌子 / Brand	:	American Standard
型號 / Model	:	CP-6401.322.04.9
種類 / Category	:	1
原產地 / Country or Region Origin	:	China

在用水效益標籤上展示的標誌

Symbolic Presentation on the Water Efficiency Label



滴水點

Water droplet(s)

用水效益級別

Water Efficiency Grade

: 1

沖水量

Water Flush Volume

: 1.3

公升/循環

litres/cycle

簽發日期: 26 November 2021
Date of Issue:



水務署
Water Supplies Department



水務署署長(尤孝賢代行)
for Director of Water Supplies

* 上述小便器用具具有智能功能，並且能達至額外節省用水。

The above urinal equipment is operated with a smart demand operation to achieve additional water saving.