
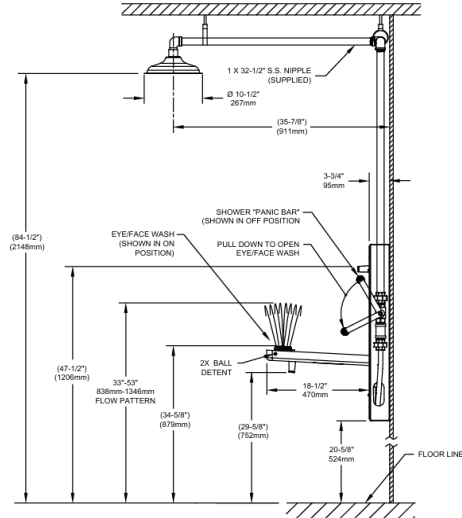




PROJECT		REF		REV	ITEM CODE	
LOCATION		DATE			PAGE	

## SANITARY WARE SPECIFICATION SHEET

<p><b>Item Descriptions</b></p> <p><b>Model</b></p> <p><b>Dimensions</b></p> <p><b>Material / Finish</b></p> <p><b>Manufacturer</b></p> <p><b>Source</b></p> <p><b>Contact Tel/Fax</b></p> <p><b>E-mail</b></p> <p><b>Website</b></p>	<p>HAWS (USA) Horizontal or vertical emergency shower includes hydrodynamically designed stainless steel shower head and eye/face wash with 20 gpm flow control, Style 304 stainless steel ball valve with stainless steel ball and stem, chrome-plated brass pull rod with handle</p> <p>8356WCSM</p> <p>Refer to drawing</p> <p>Stainless Steel./ Satin Finish</p> <p>Haws Corporation (USA)</p> <p>Ka Shing Enterprises (H.K) Limited Mr. Ivan Lau / Mr. Gilman Yuen (852) 2628-0661 / (852) 2490-2700</p> <p>project@kashingehk.com www.kashingehk.com</p>	<p style="text-align: center;"><b>Illustration/ Drawing</b></p> <div style="text-align: center;">  </div> <div style="text-align: center;">  </div>
<p><b>Model 8356WCSM</b> wheelchair accessible surface mounted combination shower and eye/face wash features the medically acclaimed AXION MSR eye/face wash head assembly (patent pending). The revolutionary inverted flow design is the only product on the market that provides a Medically Superior Response consistent with all EMT, emergency room and doctors' office protocols by sweeping contaminants away from the vulnerable nasal cavity. Traditional eye washes irrigate from the outside edge of the eye back toward the nose, where contaminants can then be flushed into the nasal cavity through the lacrimal punctum, nature's ocular cavity drain. Emergency combination unit is equipped with a stainless steel drain pan, so when the irrigation process begins, the unit is draining waste properly. AXION MSR also offers a new hydrodynamic shower design that minimizes the strong physical pressure that drives the water to the outer rim of normal showerheads, making the distribution equal across the entire footprint of the flow. Better use of the water flowing through the shower makes it more effective while providing a more comfortable environment by breaking the streams of water into smaller individual droplets.</p> <ul style="list-style-type: none"> <li>*Eyewash streams provide Zero Vertical Velocity™ stream engineering with even laminar flow for enhanced comfort, stability and effectiveness</li> <li>*Perfect for mounting on block or solid walls which cannot be cut into</li> <li>*Easy access exterior mounted in-line strainer</li> <li>*One piece drain tray catches waste fluid during eyewash use</li> <li>*18 Gauge Type 304 Stainless Steel recessed cabinet is a deep-drawn heavy duty structure with smooth electro-polished finish</li> <li>*Reducing installation time, eyewash and valve assembly are pre-built and fully water/pressure tested</li> </ul> <p>Certified by CSA to meet the ANSI/ISEA Z358.1 Standard for Emergency Eyewash and Shower Equipment. Prop 65 Warning: For California Residents Warning: This product contains a chemical known to the State of California to cause cancer and/or birth defects or other reproductive harm. Please click here for more information.</p>		

**Note:**

\* All information of the above is for the reference only. No prior notice is made if any changes.

## FEATURES & BENEFITS

### CONSTRUCTION

18 Gauge Type 304 Stainless Steel surface-mounted cabinet is a deep-drawn heavy duty structure with smooth electro-polished finish to provide a durable, long lasting product.

### EYE/FACE WASH HEAD

AXION® MSR eye/face wash head uses an inverted directional laminar flow to sweep contaminants away from the vulnerable nasal cavity.

### SHOWERHEAD

AXION® MSR stainless steel showerhead uses a hydrodynamic design to give equal distribution of water throughout the entire footprint of flow.

### QUALITY CONTROL

Eye/face wash and valve assembly are pre-built and fully water/pressure tested to ensure no leaks and proper function which ultimately reduces installation time.

### ACCESSIBILITY

Pull-down design accommodates all users including wheelchair accessibility.

## OPTIONS

- Thermostatic Mixing Valve: Model 9201E AXION® Emergency Tempering Valve thermostatically mixes hot and cold water to provide a safe fluid supply for emergency showers and eyewash equipment, with a flow rate of 31 gpm (117.3 L).
- Emergency Alarm System: Model 9001, 1-1/4" 120 VAC emergency alarm and light system. Buzzer and flashing light are activated by an 1-1/4" double pole, double throw flow switch.
- ANSI Shower and Eyewash Testing Kit: Model 9011 ANSI compliance test kit.
- Three Sided Safety Sign: Model 9020 green and yellow ABS plastic 3-sided high visibility sign.

For more information, visit [www.hawscos.com](http://www.hawscos.com) or call (888) 640-4297.



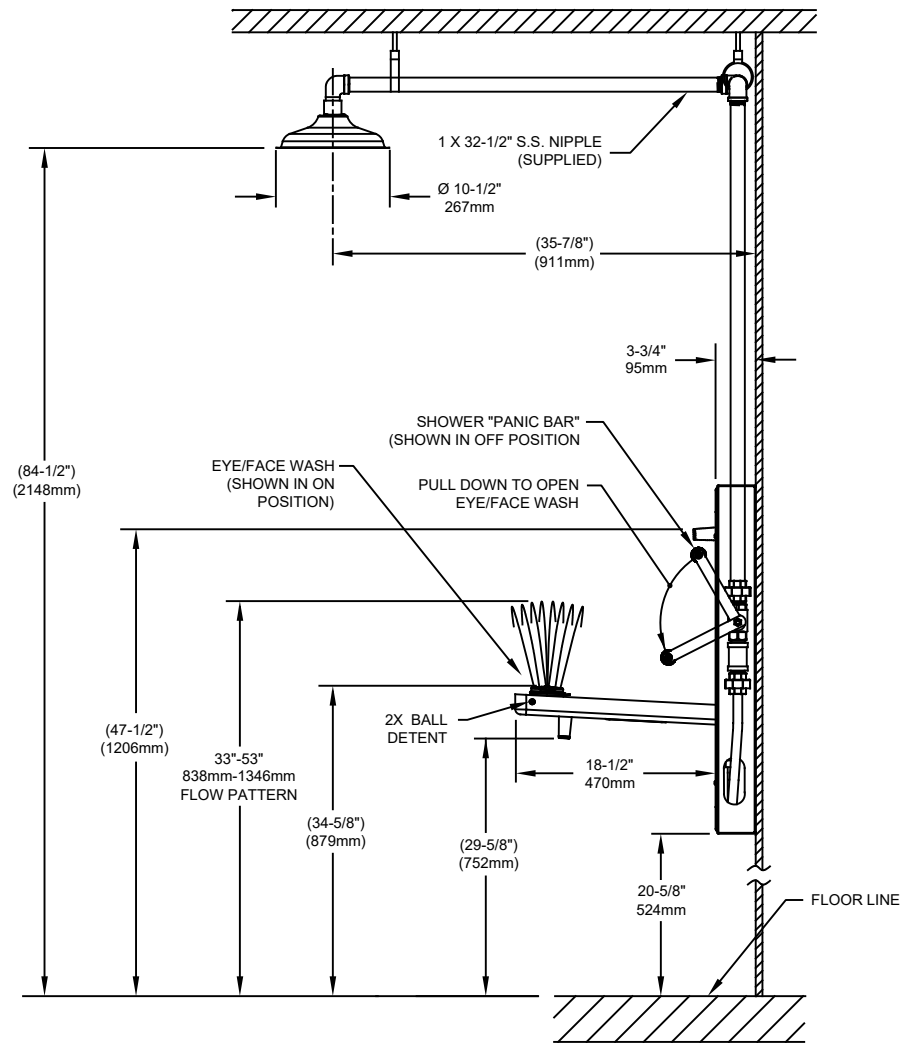
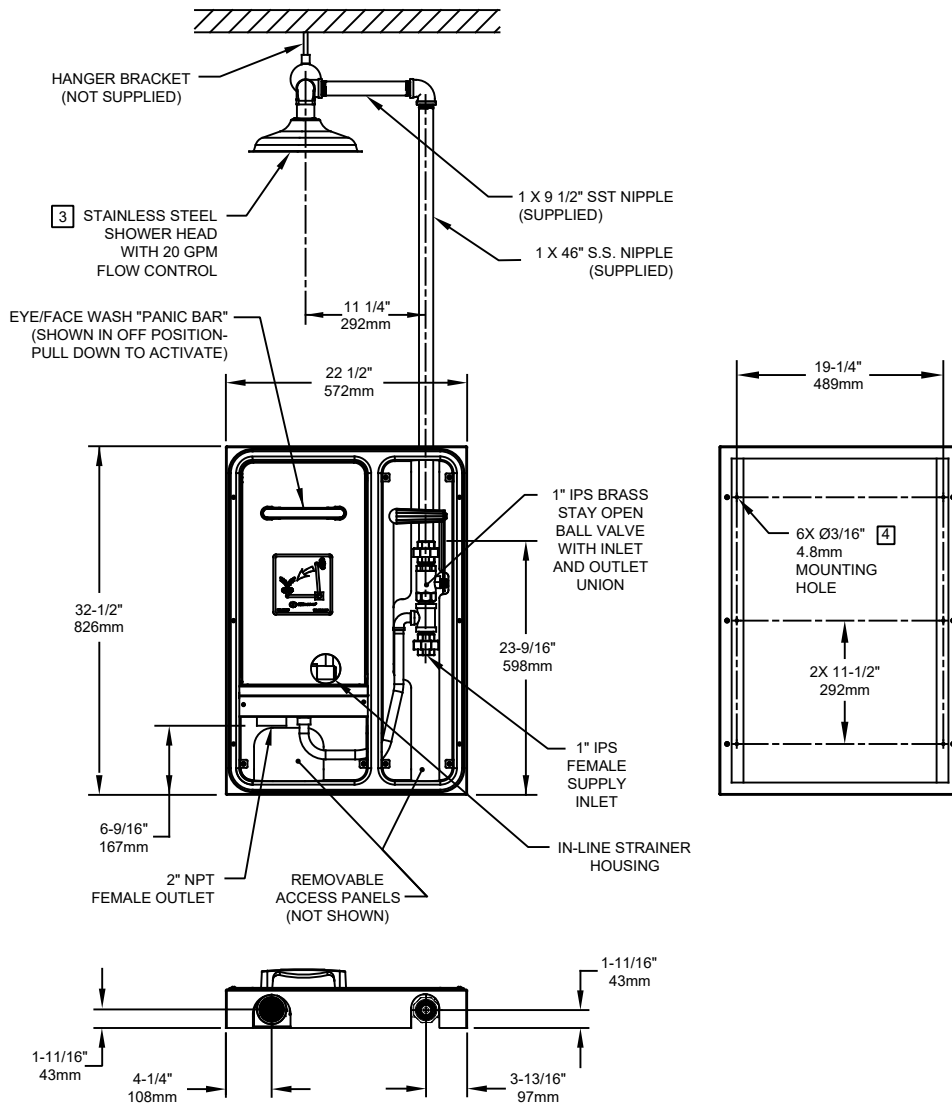
## SPECIFICATIONS

Model 8356WCSM wheelchair accessible surface-mounted combination shower and eye/face wash shall include an AXION® MSR eye/face wash head shall feature inverted directional laminar flow which achieves Zero Vertical Velocity™ supplied by an integral 4.2 gpm flow control. Unit shall also include the AXION MSR hydrodynamic design stainless steel showerhead with 20 gpm flow control, a surface-mounted wall mounted 18 Gauge, Type 304 stainless steel deep-drawn electro-polished cabinet, stainless steel surface-mount support enclosure, and polished chrome-plated brass pull-down eye/face wash valve with easy access in-line strainer. Unit shall also include stainless steel pipe and fittings, 1" brass shower ball valve, a drain pan, a front-access maintenance panel, universal sign, 1" NPT(F) inlet and 2" NPT(F) drain. Operating pressure is 30 – 90 psi (2.1 – 6.2 bar).

## APPLICATIONS

Where the eyes, face, or body of any person may be exposed to injurious or corrosive materials, suitable facilities for quick drenching or flushing of the eyes, face, and body shall be provided within the work area for immediate emergency use. Emergency eye/face wash facilities and deluge showers shall be in unobstructed and accessible locations that require no more than 10 seconds for the injured person to reach. Model 8356WCSM is certified by CSA to meet the ANSI/ISEA Z358.1 Standard for Emergency Eyewash and Shower Equipment.





NOTES:

- WHEN INSTALLING THIS UNIT, LOCAL, STATE, OR FEDERAL CODES SHOULD BE ADHERED TO FOR INSTALLATION DIMENSIONS (LOCATIONS), WASTE AND SUPPLY REQUIREMENTS OTHER THAN SHOWN.
- TO COMPLY WITH ANSI Z358.1-2014 FOR EMERGENCY EYEWASH OR EYE/FACE WASH: EYEWASH OR EYE/FACE WASH SHALL BE POSITIONED SUCH THAT FLUSHING FLUID PATTERN IS NOT LESS THAN 33" (838mm), NO GREATER THAN 53" (1346mm) FROM SURFACE ON WHICH USER STANDS, AND 6.0" (153mm) MINIMUM FROM WALL OR NEAREST OBSTRUCTION.

**3** SHOWER MUST BE POSITIONED IN-LINE WITH EYE/FACEWASH HEAD TO ALLOW FOR SIMULTANEOUS USE BY THE SAME USER PER ANSI Z358.1.

**4** MOUNTING HARDWARE NOT SUPPLIED.

5. DIMENSIONS MAY VARY BY ±1/2" (13 mm).

		<b>Haws®</b>		1455 KLEPPE LANE SPARKS, NEVADA 89431 (775) 359-4712 FAX (775) 359-7424 E-MAIL: HAWS@HAWSCO.COM WEBSITE: WWW.HAWSCO.COM	
				MODEL(S) <b>8356WCMS</b>	
ECN NO. 4290	REVISED PER ECN: 5752	BY: FV	APPROVED: FV		DATE: 10/19/21
DRAWN: I. ROBERTS	DATE: 7/13/10	CHK'D.: JL			
SCALE: 1/19		DRAWING TYPE: INSTALLATION		SIZE: A SHEET 1 OF 1	