



PROJECT		REF		REV	ITEM CODE	
LOCATION		DATE			PAGE	

SANITARY WARE SPECIFICATION SHEET

Item Descriptions	Bobrick (USA) Stainless steel 304 welded frame glass mirror in satin finish
Model	B-290
Dimensions	Refer to drawing
Material/ Finish	Stainless Steel and Glass / Satin Finish
Manufacturer	Bobrick Washroom Equipment Inc. (USA)
Source	Ka Shing Enterprises (H.K.) Limited Mr. Ivan Lau / Mr. Gilman Yuen
Contact Tel/Fax	(852) 2628-0661 / (852) 2490-2700
E-mail	project@kashingehk.com
Website	www.kashingehk.com

Illustration/ Drawing



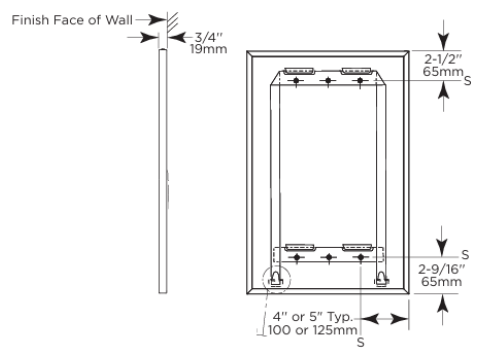
MATERIALS:
Frame — 18-8, heavy-gauge stainless steel, 3/4" x 3/4" (19 x 19mm) angle with satin finish or matte black, as specified. One piece, roll-formed construction forms continuous integral stiffener on all sides. Bevel design on front of angle holds frame tightly against mirror. Corners of mirror frame are heliarc welded, ground and polish smooth. Galvanized steel back is fastened to frame with concealed screws and equipped with integral horizontal hanging brackets near the top and bottom of the mirror for hanging the mirror and to prevent the mirror from pulling away from the wall.

Mirror — No. 1 quality, 1/4" (6mm) select float glass (standard glass): selected for silvering, electrolytically copper-plated by the galvanic process, and guaranteed for 15 years against silver spoilage. All edges protected by plastic filler strips; back is protected by full-size, shock-absorbing, water-resistant, nonabrasive, 3/16" (5mm) thick polyethylene padding.

Concealed Wall Hanger — For snap locking design: Heavy gauge steel construction. Incorporates upper and lower members, which engage backplate louvers to keep mirror against the wall. For "2S"-Tab design: Incorporates upper bracket engaging in upper louver and double sided tape below the bottom louver securing mirror to concealed wall hanger.

INSTALLATION:
 Mount wall hanger on wall with screws (not furnished) at points indicated by an S. For plaster or dry wall construction, provide backing to comply with local building codes, then secure wall hanger with screws (not furnished). When providing a concealed backing, allow backing to cover range of mounting hole locations shown on drawing. For other wall surfaces, provide fiber plugs or expansion shields for use with screws (not furnished), or provide 1/8" (3mm) toggle bolts or expansion bolts. Snap Locking Design: Hang mirror on wall hanger with all four backplate louvers engaged behind horizontal wall hanger members. To do this, mirror must be centered in front of the wall hanger horizontally, pressed flat against the wall approximately 1" (25mm) above final position and then lowered into final position.

STANDARD B-290 SERIES MIRRORS			
SATIN FINISH MODEL NO.	MATTE BLACK FINISH MODEL NO.	OVERALL SIZE	
		W	H
B-290 1830	B-290 1830.MBLK	18" (46cm)	30" (76cm)
B-290 1836	B-290 1836.MBLK	18" (46cm)	36" (91cm)
B-290 2430	B-290 2430.MBLK	24" (61cm)	30" (76cm)
B-290 2436	B-290 2436.MBLK	24" (61cm)	36" (91cm)
B-290 2448	B-290 2448.MBLK	24" (61cm)	48" (122cm)
B-290 2460	B-290 2460.MBLK	24" (61cm)	60" (152cm)
B-290 2472	B-290 2472.MBLK	24" (61cm)	72" (183cm)



- Designer's Notes:**
- Special-order sizes available on request.
 - Maximum size one-piece angle-frame mirror, 14 1/2" x 52" (366 x 132cm); minimum size, 12" x 12" (30 x 30cm).
 - All Bobrick framed mirrors are manufactured to overall width and height dimensions. EXAMPLE: A 24" x 36" (61 x 91cm) mirror will be furnished 24" x 36" (61 x 91cm) outside-of-frame to outside-of-frame.
 - To specify special sizes use Series Number followed by width then height in inches. EXAMPLE: B-290 2024.
 - Bobrick framed mirrors are manufactured to a tolerance ± 1/8" (3.2mm).
 - For sufficient space to lift mirror onto wall hanger(s), provide 3-1/4" (85mm) for Snap Locking Design; 5-3/8" (137mm) for "2S" Tab Design minimum clearance above center line of mounting screw holes.
 - Provide 1" (25mm) minimum clearance at bottom of mirror for unlocking mirror from wall and 1/2" (12.7mm) clearance on each side.

* All information of the above is for the reference only. No prior notice is made if any changes.

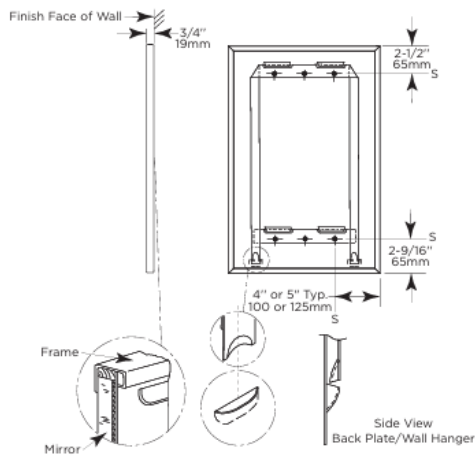


PROJECT		REF		REV	ITEM CODE	
LOCATION		DATE			PAGE	

SANITARY WARE SPECIFICATION SHEET

Snap Locking Design (Rear View)

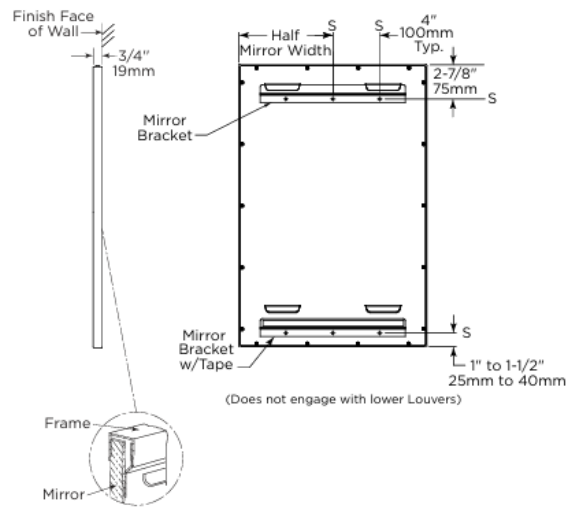
Figure: 1



"2S" Tab Design (Rear View)

- for all other mirrors up to a width of 36"

Figure: 2



STANDARD B-290 SERIES MIRRORS

SATIN FINISH MODEL NO.	MATTE BLACK FINISH MODEL NO.	OVERALL SIZE	
		W	H
B-290 1830	B-290 1830.MBLK	18" (46cm)	30" (76cm)
B-290 1836	B-290 1836.MBLK	18" (46cm)	36" (91cm)
B-290 2430	B-290 2430.MBLK	24" (61cm)	30" (76cm)
B-290 2436	B-290 2436.MBLK	24" (61cm)	36" (91cm)
B-290 2448	B-290 2448.MBLK	24" (61cm)	48" (122cm)
B-290 2460	B-290 2460.MBLK	24" (61cm)	60" (152cm)
B-290 2472	B-290 2472.MBLK	24" (61cm)	72" (183cm)

Note: Mirrors greater than 36" in width will have multiple hanger brackets with a typical 8" off each edge.

Snap Locking Design (Front View)

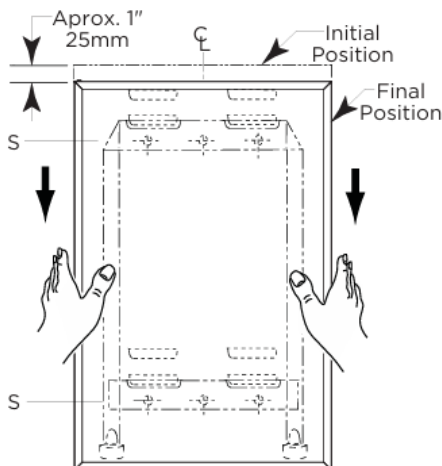


Figure: 3

"2S" Tab Design- Up to 36" Width (Front View)

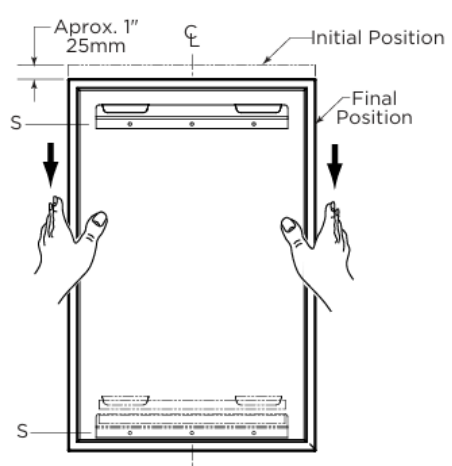


Figure: 4

* All information of the above is for the reference only. No prior notice is made if any changes.