



# Ka Shing Enterprise (H.K.) Ltd.

ROOM 1706 NEW TERRITORIES TSUEN WAN HO LIK CENTRE, 66A SHA TSUI ROAD  
 Tel:26280661 Fax: 24902700  
 Email: project@kashingehk.com  
 Website: www.kashingehk.com

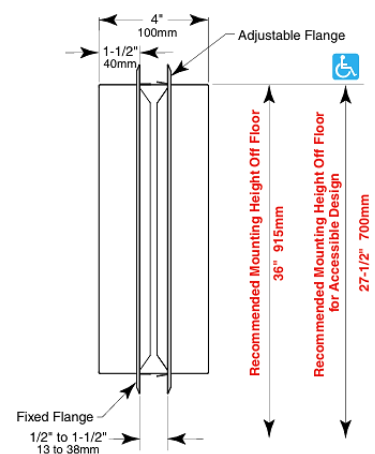
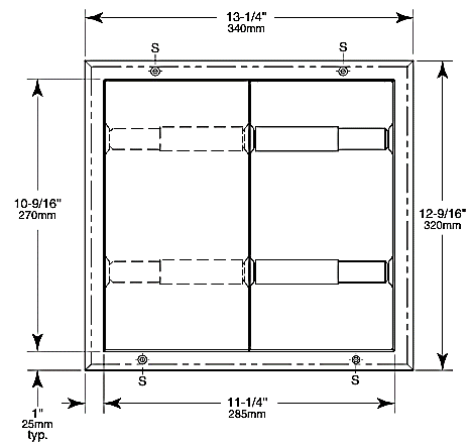


PROJECT		REF		REV	ITEM CODE	
LOCATION		DATE			PAGE	

## SANITARY WARE SPECIFICATION SHEET

Item Descriptions	Bobrick (USA) "Classic Series™" Stainless steel Partition mounted dual sided multi-roll toilet tissue dispenser (serves two toilet compartments)
Model	B-386
Dimensions	W340 x L100 x H320mm
Material	Heavy-duty cast aluminum / Satin
Manufacturer	Bobrick Washroom Equipment Inc. (USA)
Source	Ka Shing Enterprises (H.K.) Limited Mr. Ivan Lau / Mr. GilmanYuen
Contact Tel/Fax	(852) 2628-0661 / (852) 2490-2700
E-mail	project@kashingehk.com
Website	www.kashingehk.com

### Illustration/ Drawing



**MATERIALS:**  
**Cabinet** — 18-8, Type-304, 22-gauge (0.8mm) stainless steel. All-welded construction. Exposed surfaces have satin finish.  
**Flanges (2)** — 18-8, Type-304, 22-gauge (0.8mm) stainless steel with satin finish. Drawn and beveled, one-piece, seamless construction.  
**Toilet Tissue Dispensers (4)** — 18-8, Type-304, 22 gauge (0.8mm) stainless steel with satin finish. Holds two standard-core toilet tissue rolls up to 5-1/8" (130mm) diameter (1500 sheets) for each toilet compartment.  
**Spindles (4)** — Chrome-plated plastic, equipped with heavy-duty internal springs.  
 Designer's Note: Theft-resistant spindles, which are removable only with special key provided. Order Part Number 283-604.

**OPERATION:**  
 Unit holds four standard-core toilet tissue rolls up to 5-1/8" (130mm) diameter (1500 sheets), two for each compartment. Spindles may be removed from each compartment for servicing.  
 Designer's Note: It is recommended that one full toilet tissue roll remain wrapped until the other roll has been depleted to avoid wasting ends of both rolls.

**INSTALLATION:**  
 Mount unit, with seam in wrapper at bottom, in toilet partition 1/2" to 2" (13 to 50mm) thick, centered through a cutout specially ordered from partition manufacturer or field cut. Dimensions of cutout are to be 11-1/2" wide x 10-7/8" high (290 x 275mm). For factory-made cutouts, location and size details should be furnished to partition manufacturer. For hollow-core metal partitions, provide solid framing into which sheet-metal mounting screws can be secured.  
 For installation with sheet-metal screws furnished, place unit firmly in partition cutout, making certain that entire perimeter of fixed flange is flush with and tight against partition surface. Secure to partition with screws through four mounting holes at points indicated by an S. On other side of partition, position adjustable flange (which serves as an escutcheon) so mounting holes are not in-line with mounting holes in fixed flange. Make certain entire perimeter of adjustable flange is flush with and tight against partition surface before securing with sheet-metal screws furnished by manufacturer.  
 Note: Cutouts in Bobrick toilet partitions can be pre-cut for Bobrick partition-mounted accessories at factory if location and size of cutouts are specified and the order for both partitions and accessories are received together.

**SPECIFICATION:**  
 Partition-mounted dual-sided multi-roll toilet tissue dispenser shall be Type-304 stainless steel with all-welded construction; exposed surfaces shall have satin finish. Flanges shall be drawn and beveled, one-piece, seamless construction. Unit shall mount in toilet partition and shall serve two toilet compartments. Unit shall dispense four standard-core toilet tissue rolls up to 5-1/8" (130mm) diameter (1500 sheets). \*Spindles shall be equipped with a heavy-duty internal spring.

**Note:**

\* All information of the above is for the reference only. No prior notice is made if any changes.