
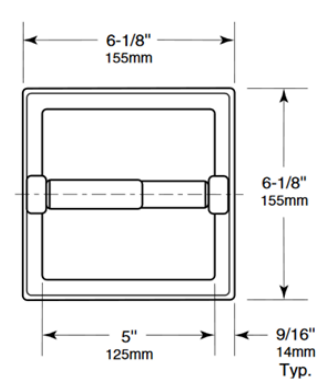
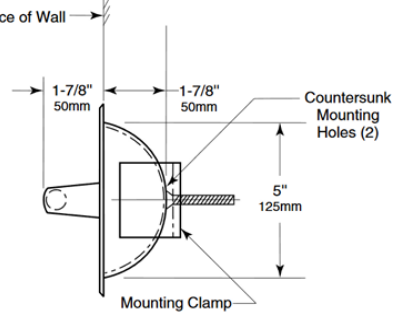






PROJECT		REF		REV	ITEM CODE	
LOCATION		DATE			PAGE	

SANITARY WARE SPECIFICATION SHEET

<p>Item Descriptions</p> <p>Model</p> <p>Dimensions</p> <p>Material / Finish</p> <p>Manufacturer</p> <p>Source</p> <p>Contact Tel/Fax</p> <p>E-mail</p> <p>Website</p>	<p>Bobrick (USA) Stainless steel recessed roll toilet tissue dispenser in bright polished finish</p> <p>B-667</p> <p>L155 x W100 x H155 mm</p> <p>Stainless Steel/ Bright Polished Finish</p> <p>Bobrick Washroom Equipment Inc. (USA)</p> <p>Ka Shing Enterprises (H.K.) Limited Mr. Ivan Lau / Mr. Gilman Yuen</p> <p>(852) 2628-0661 / (852) 2490-2700 project@kashingehk.com www.kashingehk.com</p>	<p style="text-align: center;">Illustration/ Drawing</p> <div style="text-align: center;">  </div> <div style="text-align: center; margin-top: 20px;">  </div> <div style="text-align: center; margin-top: 20px;">  </div>
<p>MATERIALS:</p> <p>Shell and Flange — 18-8, Type-304, 22-gauge (0.8mm) stainless steel. Drawn, one-piece, seamless construction with two countersunk mounting holes.</p> <p>Support Posts (2) — Heavy-duty cast zamak with chrome-plated finish. Mounting Bracket — Plated steel mounting clamp attaches to back of unit with two sheet-metal screws for installation in stud wall construction and countertop aprons.</p> <p>Spindle — Chrome-plated plastic equipped with heavy-duty internal spring.</p> <p>*Theft-resistant toilet tissue spindle, which is removable only with special key provided, are available as an optional accessory - part no. 283-604.</p> <p>INSTALLATION:</p> <p>Provide framed rough opening 5-1/2" wide x 5-1/4" high (140 x 135mm). Minimum recessed depth required from finish face of wall or apron is 3-3/8" (85mm).</p> <p>For installation in stud wall construction and countertop aprons without backing: Loosely attach mounting clamp to back of unit with sheet-metal mounting screws. Insert into rough opening. Adjust mounting clamp so it grips surface inside rough opening. Secure in place by tightening two sheet-metal mounting screws.</p> <p>For installation in stud wall construction and countertop aprons with backing: Discard mounting clamp furnished with unit. Insert unit only into rough opening and secure with sheet-metal screws furnished. Backing must comply with local building codes.</p>	<div style="text-align: center;">  <p>B-667 Bright Polished Finish</p> </div> <div style="text-align: center; margin-top: 20px;">  <p>B-6677 Satin Finish</p> </div> <div style="text-align: center; margin-top: 20px; border: 1px solid black; padding: 5px;"> <p>Rough Opening 5-1/2" (140mm) wide 5-1/4" (135mm) high 3-3/8" (85mm) minimum recessed depth</p> </div>	

Note:

** All information of the above is for the reference only. No prior notice is made if any changes.*