
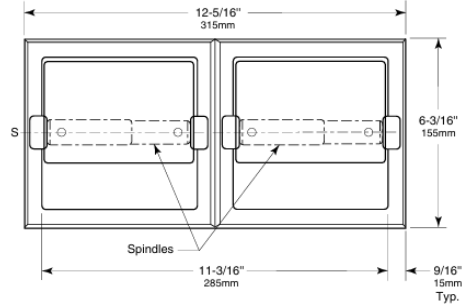
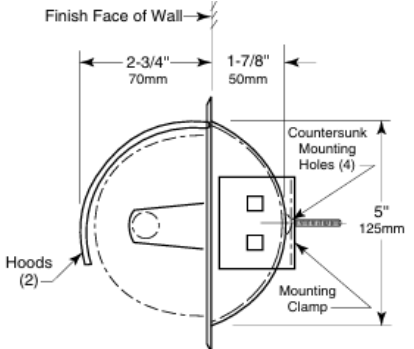




PROJECT		REF		REV	ITEM CODE	
LOCATION		DATE			PAGE	

SANITARY WARE SPECIFICATION SHEET

<p>Item Descriptions</p> <p>Model</p> <p>Dimensions</p> <p>Material</p> <p>Manufacturer</p> <p>Source</p> <p>Contact Tel/Fax</p> <p>E-mail</p> <p>Website</p>	<p>Bobrick (USA) "TrimLineSeries™" Stainless steel Recessed dual roll toilet tissue dispenser with hoods (for stud walls or countertop aprons)</p> <p>B-699 (Bright Polished) B-6997 (Satin Finish)</p> <p>W315 x L120 x H155mm</p> <p>Stainless Steel / Satin Finish</p> <p>Bobrick Washroom Equipment Inc. (USA)</p> <p>Ka Shing Enterprises (H.K) Limited Mr. Ivan Lau / Mr. Gilman Yuen (852) 2628-0661 / (852) 2490-2700 project@kashingehk.com www.kashingehk.com</p>	<p style="text-align: center;">Illustration/ Drawing</p>    <div style="border: 1px solid red; padding: 5px; margin-top: 10px; color: red; text-align: center;"> <p>Rough Opening 11-3/4" (300mm) wide 5-1/4" (135mm) high 3-3/8" (86mm) minimum recessed depth</p> </div>
<p>MATERIALS:</p> <p>Shell and Flange — 18-8, Type-304, 22-gauge (0.8mm) stainless steel. Drawn and beveled, one-piece, seamless construction with four countersunk mounting holes.</p> <p>Support Posts (4) — Heavy-duty cast zamac with chrome-plated finish.</p> <p>Hoods (2) — 18-8, Type-304, 18-gauge (1.2mm) stainless steel. Hoods hinged to shell.</p> <p>Mounting Bracket — Plated-steel mounting clamp attaches to back of unit with two sheet-metal screws for installation in stud walls or countertop aprons.</p> <p>Spindles (2) — Chrome-plated plastic. Equipped with heavy-duty internal springs.</p> <p>Designer's Note: Theft-resistant toilet tissue spindles, which are removable only with special key provided, are available as an optional accessory - part no. 283-604.</p> <p>INSTALLATION:</p> <p>Provide framed rough opening 11-3/4" wide x 5-1/4" high (300 x 135mm). Minimum recessed depth required from finish face of wall or apron is 3-3/8" (86mm). For installation in stud walls or countertop aprons without backing, loosely attach mounting clamp to back of unit with mounting screws. Insert into rough opening. Adjust mounting clamp so it grips surface inside rough opening. Secure in place by tightening four mounting screws. For installation in stud walls or countertop aprons with backing, discard mounting clamp furnished with unit. Insert unit only into rough opening and secure with sheet-metal screws furnished. Backing must comply with local building codes.</p> <p>SPECIFICATION:</p> <p>Recessed dual-roll toilet tissue dispenser shall be Type-304 stainless steel with _____ (insert one: bright polished or satin) finish. Shell and flange shall be drawn and beveled, one-piece, seamless construction. Unit shall be equipped with 18-gauge (1.2mm) hoods hinged to shell and furnished with plated-steel mounting clamp for installation in stud walls or countertop aprons. *Spindles shall be chrome-plated plastic with heavy-duty internal springs.</p> <p>*To specify theft-resistant spindles as an optional accessory, add to specification: Theft-resistant toilet tissue spindles shall be removable only with special key provided.</p>		

Note:

** All information of the above is for the reference only. No prior notice is made if any changes.*