
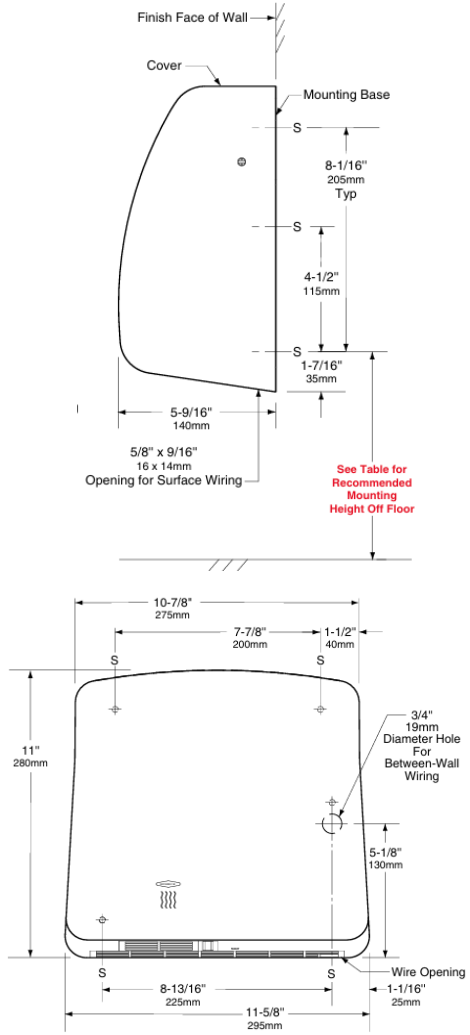




PROJECT		REF		REV	ITEM CODE	
LOCATION		DATE			PAGE	

SANITARY WARE SPECIFICATION SHEET

<p>Item Descriptions</p>	<p>Bobrick (USA) Surface-mounted automatic hand dryer</p>	<p style="text-align: center;">Illustration/ Drawing</p> 
<p>Model</p>	<p>B-715E</p>	
<p>Dimensions</p>	<p>L140 x W275 x H280 mm</p>	
<p>Material</p>	<p>Stainless Steel</p>	
<p>Manufacturer</p>	<p>Bobrick Washroom Equipment Inc. (USA)</p>	
<p>Source</p>	<p>Ka Shing Enterprises (H.K.) Limited Mr. Ivan Lau / Mr. Gilman Yuen</p>	
<p>Contact Tel/Fax</p>	<p>(852) 2628-0661 / (852) 2490-2700</p>	
<p>E-mail</p>	<p>project@kashingehk.com</p>	
<p>Website</p>	<p>www.kashingehk.com</p>	
<p>Cover — One-piece, deep drawn, 20-gauge (0.9mm), type-304 stainless steel with satin finish. Cover is secured to mounting base with three flat-head stainless steel screws.</p> <p>Mounting Base and Fan Housing — 5/64" (2mm) thick fire-retardant molded grey plastic with high-gloss finish. Plastic air-inlet grille fits into bottom of mounting base. Plastic air-outlet grille is secured between fan housing and mounting base.</p> <p>Motor — Maintenance-free capacitor run, external rotor motor with sealed ball bearings at both ends of drive shaft. Equipped with an automatic thermal-overload switch.</p> <p>Fan — Dynamically balanced 5-15/64" (133mm) diameter rotor centrifugal fan with multiple metallic vanes. Directs air flow from heating element at 100 cfm, mixes air to provide uniform temperature.</p> <p>Heating Element — Coiled nickel-chrome heating element is protected by an automatic thermal-overload switch and thermal fuse. Heating element, which is located on inlet side of fan, heats air without hot spots — inaccessible to vandals.</p> <p>Electronic Control — Infrared sensor automatically turns dryer on when hands are held under air-outlet opening and across path of sensor. Remove hands from path of sensor and dryer stops. Electronic sensor has automatic shutoff approximately two minutes after dryer turns on if an inanimate object, such as tape or chewing gum, is placed across sensor lens. After inanimate object is removed, electronic sensor automatically resets itself and dryer operates normally.</p>		

* All information of the above is for the reference only. No prior notice is made if any changes.