



PROJECT		REF		REV	ITEM CODE	
LOCATION		DATE			PAGE	

## SANITARY WARE SPECIFICATION SHEET

Item Descriptions	Bobrick (USA) Floor-standing open top waste receptacle (Capacity: 68.1L)	<p>Illustration/ Drawing</p>
Model	B-9279	
Dimensions	L297 x W180 x H607 mm	
Material	Stainless Steel / Satin Finish	
Manufacturer	Bobrick Washroom Equipment Inc. (USA)	
Source	Ka Shing Enterprises (H.K) Limited Mr. Ivan Lau / Mr. Gilman Yuen	
Contact Tel/Fax E-mail Website	(852) 2628-0661 / (852) 2490-2700 project@kashingehk.com www.kashingehk.com	

**MATERIALS:**  
**Receptacle** — Type 304 stainless steel, 18 gauge (1.2mm) with satin finish. All-seam-welded construction with hemmed edges at top and bottom. Equipped for hosting a removable waste container, capacity 22.6 L (6-gal.).  
**Waste Container** — Leak-proof rigid molded plastic. Removable for servicing. Capacity: 22.6 L (6-gal.).  
**Wall Bracket** — Type 304 stainless steel, 14 gauge (1.6 mm).  
**OPERATION:**  
Waste container can be removed by pulling receptacle up off the bracket and then pivoted away from the wall. Space between bottom of receptacle and floor, when unit is properly mounted on wall, facilitates floor cleaning



**Finish/Color Options**

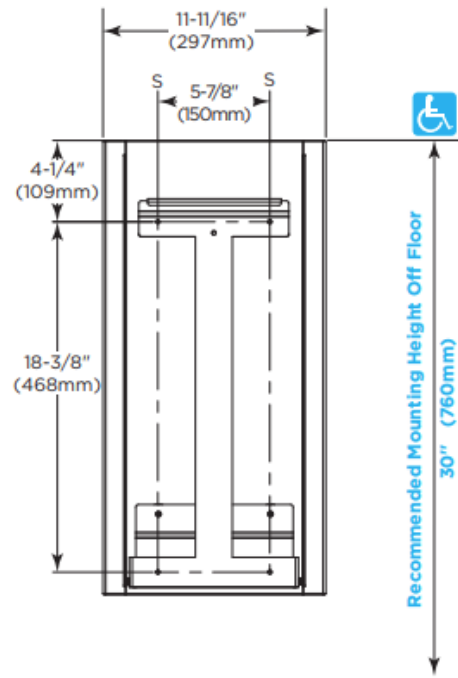


Seam welded stainless steel waste receptacle.

Waste Container: Removable, leak-proof, rigid molded plastic.  
Capacity: 6-Gal (23-L)  
Width: 11-11/16" (297mm)  
Height: 23-7/8" (607mm)  
Depth: 6-1/8" (156mm)  
Material: Type 304, 18 gauge (1.2mm), stainless steel.  
Finish: Matte Black finish.  
Made in: UK

**Product Specs**

Finish : Matte Black  
Mounting Options : Surface Mounted  
Waste Capacity : 6-Gal (23-L)  
Features : Open Top  
Accessibility : ADA Compliant



Note:

\* All information of the above is for the reference only. No prior notice is made if any changes.



PROJECT		REF		REV	ITEM CODE	
LOCATION		DATE			PAGE	

## SANITARY WARE SPECIFICATION SHEET

**INSTALLATION:**

Reference installation instructions, steps 1-5, to mount the wall bracket and then affix waste receptacle. Securely fix wall bracket assembly to the wall using four sheet-metal screws according to the recommended installation height above finished floor. For plaster or dry wall construction, provide concealed backing to comply with local building codes, then secure unit with sheet-metal screws. For other wall surfaces, provide fiber plugs or expansion shields for use with sheet-metal screws, or provide 1/8" (3mm) toggle bolts or expansion bolts. Then, install upper bin bracket against the backside of the waste receptacle. Install lower bin bracket against the backside of the waste receptacle. Mount lower bin bracket against wall bracket assembly.

**Designer's note:** a dedicated rubber band - not furnished - will be fixated around the overlaid plastic bag, also not furnished holding the plastic bag in snug fit around the waste container, providing a clean look by preventing the plastic bag from being wrapped outside, around the waste receptacle. Please use widely available Waste bag-rubber bands ("can bands") of 7" x 1/8" for max. 32 gal.

**SPECIFICATION:**

Surface-mounted waste receptacle, type 304 stainless steel, 18 gauge (1.2mm) with satin finish. All-seam-welded construction with hemmed edges at top and bottom. Equipped for hosting a removable waste container, capacity 22.6 L (6 gal.). Furnished with a leak-proof rigid molded plastic waste container. Removable for servicing. Capacity: 22.6 L (6 gal.).

Note:

\* All information of the above is for the reference only. No prior notice is made if any changes.