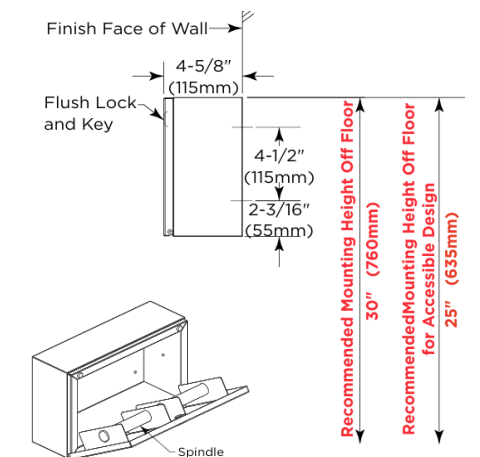
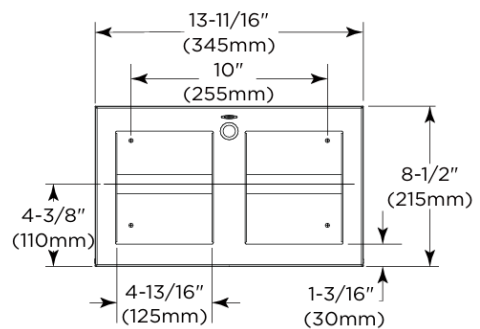




PROJECT		REF		REV	ITEM CODE	
LOCATION		DATE			PAGE	

SANITARY WARE SPECIFICATION SHEET

Item Descriptions	Bobrick (USA) "TrimLineSeries™" Stainless steel surface mounted multi-roll toilet tissue dispenser in satin finish
Model	B-3588 (Satin) B-3588.MBLK (Black)
Dimensions	W345 x L115 x H215mm
Material	Heavy-duty cast aluminum / Satin
Manufacturer	Bobrick Washroom Equipment Inc. (USA)
Source	Ka Shing Enterprises (H.K.) Limited Mr. Ivan Lau / Mr. Gilman Yuen
Contact Tel/Fax	(852) 2628-0661 / (852) 2490-2700
E-mail	project@kashingehk.com
Website	www.kashingehk.com



MATERIALS:
Cabinet — 18-8, Type-304, heavy-gauge stainless steel. All-welded construction. Exposed surfaces have satin finish or matte black, as specified.
Skirt — 18-8, Type-304, stainless steel with satin finish or matte black, as specified.
Door — 18-8, Type-304, 20-gauge (0.9mm) stainless steel with satin finish or matte black, as specified. Secured to cabinet with two rivets. Equipped with a tumbler lock keyed like other Bobrick washroom accessories. Tumbler lock flush with the door - no protrusion.
Spindle — 18-8, Type-304, 18-gauge (1.2mm), 1" diameter (25mm) stainless steel tubing with plastic end caps. Theft resistant. Removable with key provided.

OPERATION:
 Unit holds two standard-core toilet tissue rolls up to 5-1/8" (130mm) diameter (1500 sheets). To service toilet tissue dispenser, unlock door with key provided and slide spindle out on any direction.

INSTALLATION:
 For partitions with particleboard or other solid core, secure with four #10 x 5/8" (4.8 x 16mm) sheet-metal screws (not furnished) at points indicated by an S, or provide through-bolts, nuts, and washers. For hollow-core metal partitions, provide solid backing into which sheet-metal screws can be secured. If two units are installed back-to-back, then provide threaded sleeves and machine screws for the full thickness of partition. For plaster or dry wall construction, provide concealed backing to comply with local building codes, then secure unit with sheet-metal screws. For other wall surfaces, provide fiber plugs or expansion shields for use with sheet-metal screws, or provide 3/16" (5mm) toggle bolts or expansion bolts.

Replacement Parts:
 Spindle **3588-33**
 Skirt Kit **3588-53**
 Door Replacement Kit **3588-173**
 Lock and Key **288-42**

SPECIFICATION:
 Surface-mounted multi-roll toilet tissue dispenser shall be Type-304 stainless steel with all-welded construction; exposed surfaces shall have satin finish or matte black, as specified. Door shall be Type-304, 20-gauge (0.9mm) secured to cabinet with two rivets; and equipped with a tumbler lock keyed like other Bobrick washroom accessories. Tumbler lock flush with the door - no protrusion. Spindle shall be Type-304, 18-gauge (1.2mm), 1" diameter (25mm) stainless steel. Theft resistant, removable with key provided.

Note:

* All information of the above is for the reference only. No prior notice is made if any changes.