




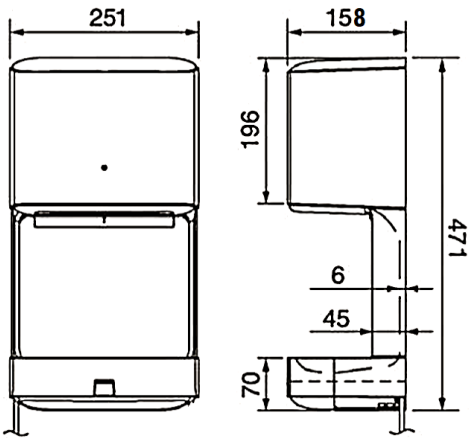






PROJECT		REF		REV	ITEM CODE	
LOCATION		DATE			PAGE	

SANITARY WARE SPECIFICATION SHEET

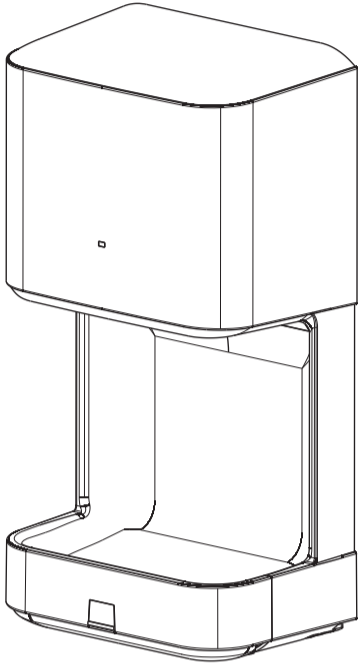
Item Descriptions	Casation (PRC) Automatic switch hand dryer with water tray, 220V with PRC or British plug	<p>Illustration/ Drawing</p> 
Model	KSEM2008S	
Dimensions	H471 x W251 x D158 mm	
Material	Plastic	
Manufacturer	CASATINO (PRC)	
Source	Ka Shing Enterprises (H.K) Limited Mr. Ivan Lau / Mr. GilmanYuen	
Contact Tel/Fax	(852) 2628-0661 / (852) 2490-2700	
E-mail	project@kashingehk.com	
Website	www.kashingehk.com	

<table border="1"> <tr><td>Voltage</td><td>220-240V(50/60HZ)</td></tr> <tr><td>Rated power</td><td>1200W / 1450W</td></tr> <tr><td>Dry hands time</td><td>5-7second</td></tr> <tr><td>Air speed</td><td>>80m/s</td></tr> <tr><td>Water splash proof</td><td>IPX1</td></tr> <tr><td>Dimensions</td><td>W251xD158xH471mm</td></tr> <tr><td>Material</td><td>ABS</td></tr> </table>	Voltage	220-240V(50/60HZ)	Rated power	1200W / 1450W	Dry hands time	5-7second	Air speed	>80m/s	Water splash proof	IPX1	Dimensions	W251xD158xH471mm	Material	ABS	 <div style="display: flex; justify-content: space-around; align-items: center;"> <div style="text-align: center;">  <small>High quality copper wire</small> </div> <div style="text-align: center;">  <small>The noise reduction technology</small> </div> <div style="text-align: center;">  <small>Durable</small> </div> </div>	
Voltage	220-240V(50/60HZ)															
Rated power	1200W / 1450W															
Dry hands time	5-7second															
Air speed	>80m/s															
Water splash proof	IPX1															
Dimensions	W251xD158xH471mm															
Material	ABS															
<p>A GOOD HAND DRYER MUST HAVE A GOOD MOTOR</p> <p>Adopt the mute motor, cooperate with the air compression to use the wind lasting strong</p> 	<p>AIR PURIFICATION FILTER</p> <p>The high quality filter traps microorganisms and impurities from the bathroom, and its powerful power ensures that the filtered clean air dries quickly and hygienically</p> 															

Note:

* All information of the above is for the reference only. No prior notice is made if any changes.

Automatic Hand dryer User manual



(The appearance of the product shall be in kind)

Thank you for your purchase and use, please read carefully
before using this product This instruction manual should be
kept in a safe place for future reference

Catalog

Safe indicate.....	1
Installation Precautions.....	1-2
Part Name.....	3
Installation method.....	4-5
Electrical schematic diagram.....	6
Packing accessories list.....	7
Product specifications.....	8

Safe indicate

Please comply

Warning

- Do not install this product in a place with high temperature, humidity, or where the body will get wet, such as a bathroom. Otherwise, it may cause fire or abnormal operation, which may cause fire or electric shock.
- Please ensure that the installation work is carried out by a qualified electrician. Otherwise, it may cause electric shock or injury.
- If the power cord is damaged, in order to avoid danger, it must be replaced by a professional from the manufacturer's maintenance department or similar department.

Warning

- The product must be installed on a wall with sufficient strength. It must be able to bear more than 20kg. If the installation strength cannot be ensured, reinforcement measures must be taken. Otherwise, the product may fall and cause injury or damage to the body.
- Do not hold the water tray to move the body. Otherwise it may cause damage or injury to the body.
- When there are special parts such as installation hardware, special parts should be used. Otherwise, the installation may be unstable and the product may fall.
- The body should be installed on a smooth wall. Otherwise, installation on uneven walls will cause vibration, abnormal sound, and shortened product life during use.

Safe indicate

Please comply

In order to avoid harm to you and others, we have listed the following safety precautions. Please be sure to observe them. Please refer to the following for the meaning of various signs.

- Ignoring or misunderstanding these signs will result in the following two situations.

Warning	The content of this sign is "may cause serious injury, casualties"
Attention	The content of this sign is "may cause personal injury and damage to other objects"

- The categories of content that must be observed are described below with signs :

	This sign indicates a prohibited matter
	This sign indicates mandatory
	This symbol is indicated as a reminder

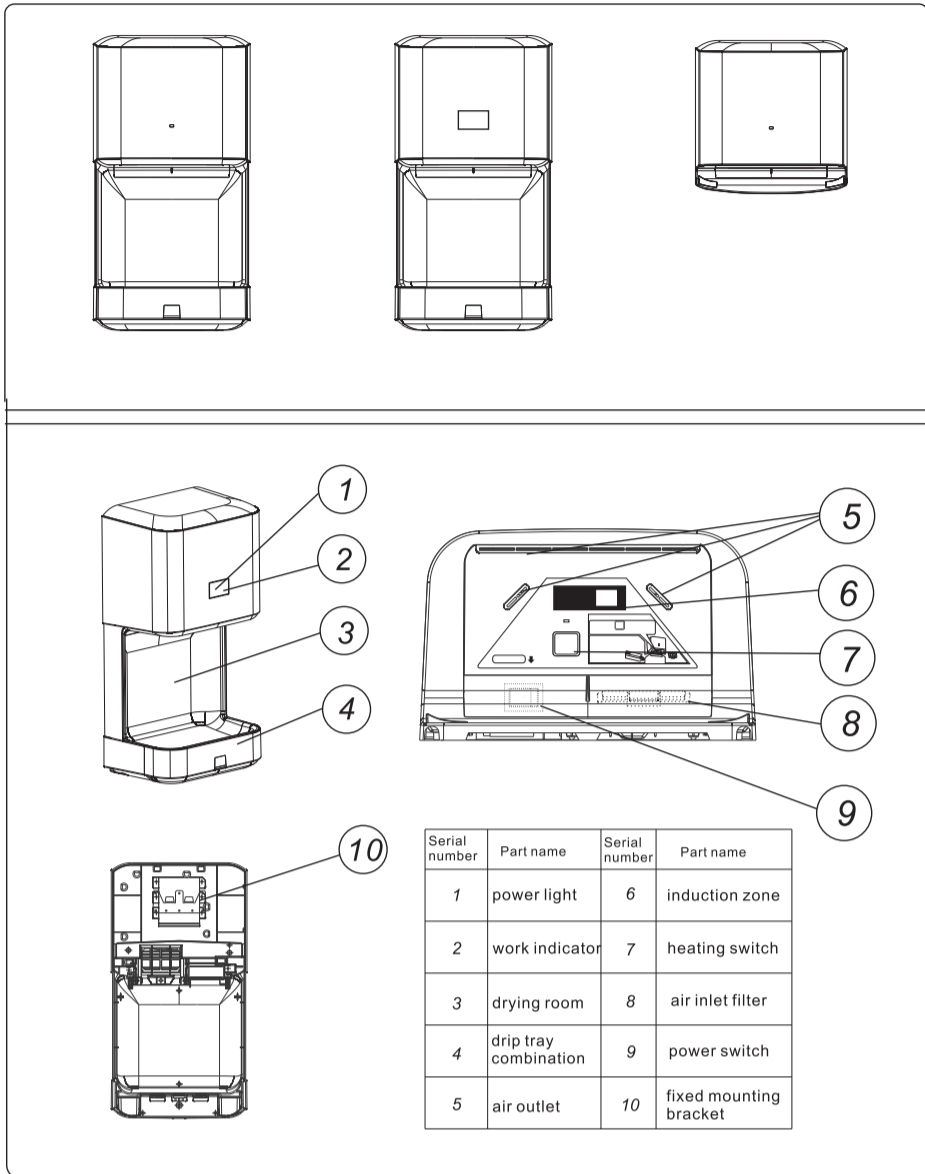
Installation Precautions

For installers to read

Warning

- Do not modify this product. Otherwise, it may cause fire or abnormal operation, which may cause fire or electric shock.
- The hand dryer must be installed properly according to the instructions in this manual. Otherwise, incorrect installation may cause fire or electric shock.
- Do not install this product in an environment with flammable gas or objects. When installing, do not connect the screws or hangers of the machine body to the wall or any metal in the wall.
- Otherwise it may cause an explosion or fire. Otherwise, if the screw or the hanger of the machine body is connected with any metal or wire, it may cause a short circuit and cause a fire.
- Do not install this product outdoors or on building exterior walls. Otherwise, it may cause a short circuit, causing a fire or electric shock.

Part name



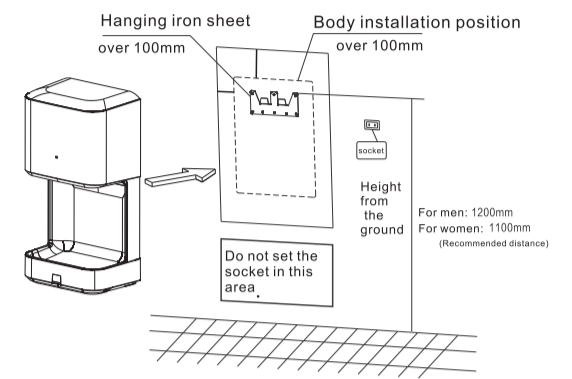
3

Installation method For installers to read

1. Choose a suitable installation location

□The installation position of the suspended iron sheet should be a firm and reliable place, and a vertical wall should be selected as much as possible to ensure that the installation position of the machine body and the 100mm range around it are a vertical plane.

□The recommended installation height from the ground to the center of the upper end hole of the suspended iron sheet is as follows.



For men	1200mm
For women	1100mm
For man & women	1100mm

Tips

- 1) Please make sure to follow the distance instructions in the figure above to keep the hand dryer at a safe distance of 100mm from the wall or flammable products nearby. At the same time, there is space on the left and right sides of the fuselage, which cannot be surrounded by walls or any objects.
- 2) Please avoid installing it where people are likely to hit the fuselage and the fuselage will be touched by the door.
- 3) Please do not install the socket where water is easy to splash. (If the socket is set under the body, the overflowing water when cleaning the drip tray may splash on the socket).

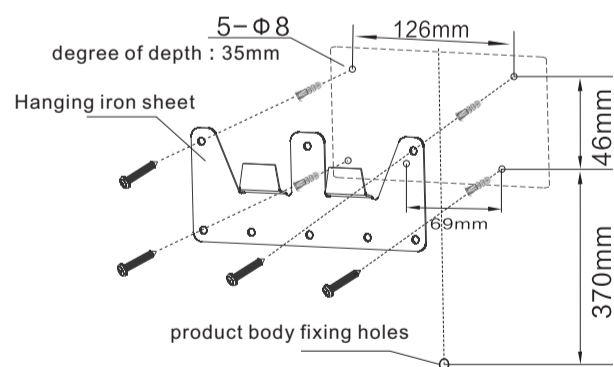
4

Installation method For installers to read

2. Fixed hanging iron pieces

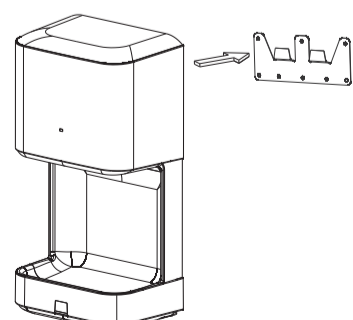
□Fix the hanging iron plate with four self-tapping screws included in the accessory kit.

□The installation steps of the hanging iron piece: Use a hammer drill to drill the bottom hole on the wall, install the rubber plug, and fix the hanging iron piece with the self-tapping screw attached to the accessory kit (there are 8 mounting holes in the hanging iron piece, only 4 It is recommended to use the mounting holes shown in the figure).



3. Fix the body to the hanging iron sheet

Clamp the body hanger into the body suspension iron clip position.

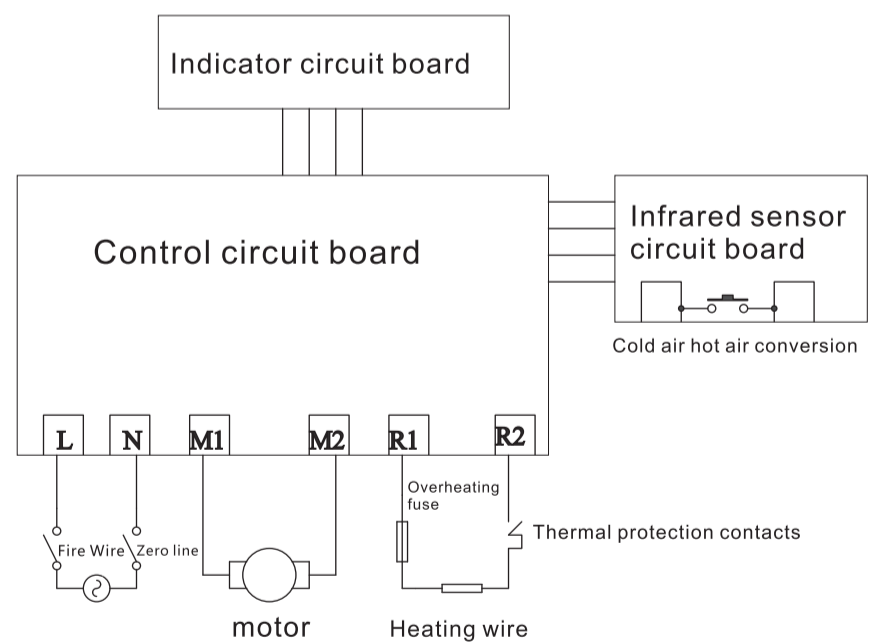


Tips

Make sure that the power cord is not pinched by the body.

5

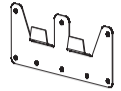
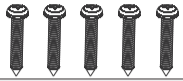
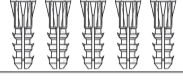


Electrical schematic diagram



6

Packing accessories list

The packing box of this product has the following accessories. Please check all the accessories after unpacking. If not, please contact the after-sales service center or dealer.

Serial number	Part Name	Name and purpose
1		Hanging iron sheet (Used to hang the hand dryer body)
2		Self-tapping screws are used to fix the suspended iron sheet, With fixed body.
3		Rubber stopper (Used for fixing screws in wall mounting holes)
4		User manual
5		Certificate of conformity

Product specifications

Voltage (V)	Frequency (Hz)	Power (W)
220	50	1200

Warranty Card

Product quality warranty

(Customer receipt)

Purchase date: year month day

Customer name:		Contacta number:	
Address:			
Product number:		After-sales service Personnel signature:	
Product number:		Signed and sealed:	

Product quality warranty

(Customer receipt)

Purchase date: year month day

Customer name:		Contacta number:	
Address:			
Product number:		After-sales service Personnel signature:	
Product number:		Signed and sealed:	