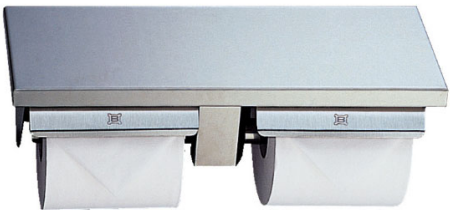
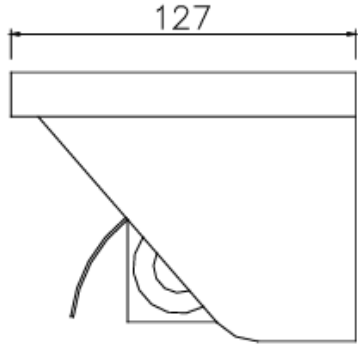

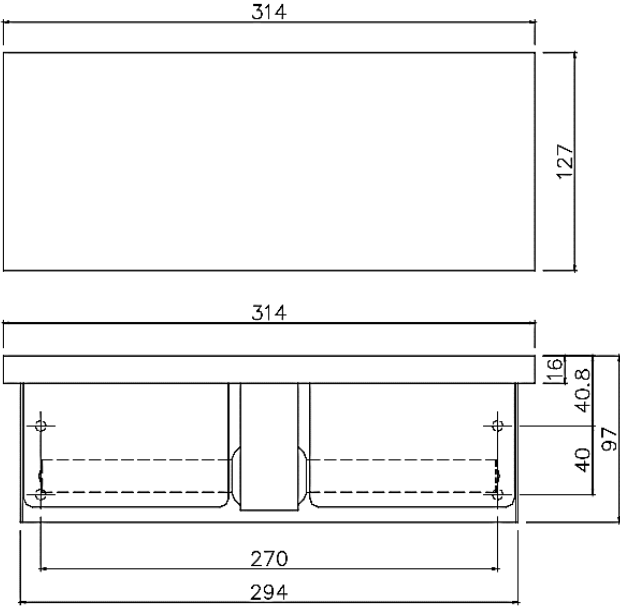




PROJECT		REF		REV	ITEM CODE	
LOCATION		DATE			PAGE	

SANITARY WARE SPECIFICATION SHEET

<p>Item Descriptions</p> <p>Dimensions</p> <p>Model</p> <p>Material</p> <p>Manufacturer</p> <p>Source</p> <p>Contact Tel/Fax</p> <p>E-mail</p> <p>Website</p>	<p>Bumhan (South Korea) stainless steel surface mounted double roll paper holder with shelf</p> <p>L315 x W127 x H97mm</p> <p>BP-26-2</p> <p>Stainless Steel</p> <p>Bumhan Industry Co., Ltd</p> <p>Ka Shing Enterprises (H.K) Limited Mr. Ivan Lau / Mr. Gilman Yuen</p> <p>(852) 2628-0661 / (852) 2490-2700</p> <p>project@kashingehk.com</p> <p>www.kashingehk.com</p>	<p>Illustration/ Drawing</p>   <p>BUMHAN</p> 
		

Note:

* All information of the above is for reference only. No prior notice is made if any changes.