
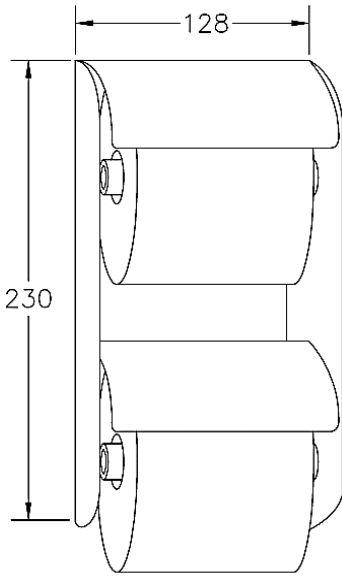








PROJECT		REF		REV	ITEM CODE	
LOCATION		DATE			PAGE	

SANITARY WARE SPECIFICATION SHEET

Item Descriptions	Bumhan (South Korea) stainless steel surface mounted dual roll paper holder	<p>Illustration/ Drawing</p>  
Dimensions	L128 x H230 mm	
Model	BP-27	
Material	Stainless Steel	
Manufacturer	Bumhan Industry Co., Ltd	
Source	Ka Shing Enterprises (H.K) Limited Mr. Ivan Lau / Mr. GilmanYuen	
Contact Tel/Fax	(852) 2628-0661 / (852) 2490-2700	
E-mail	project@kashingehk.com	
Website	www.kashingehk.com	
   		

Note:

* All information of the above is for reference only. No prior notice is made if any changes.