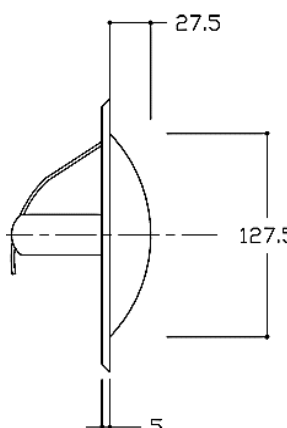

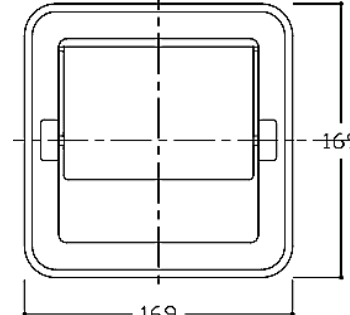
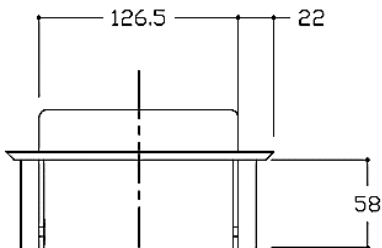









PROJECT		REF		REV	ITEM CODE	
LOCATION		DATE			PAGE	

SANITARY WARE SPECIFICATION SHEET

<p>Item Descriptions</p> <p>Dimensions</p> <p>Model</p> <p>Material</p> <p>Manufacturer</p> <p>Source</p> <p>Contact Tel/Fax</p> <p>E-mail</p> <p>Website</p>	<p>Bumhan (South Korea) stainless steel concealed paper holder</p> <p>L58 x W28 x H169mm</p> <p>BP-29</p> <p>Stainless Steel</p> <p>Bumhan Industry Co., Ltd</p> <p>Ka Shing Enterprises (H.K) Limited Mr. Ivan Lau / Mr. GilmanYuen</p> <p>(852) 2628-0661 / (852) 2490-2700 project@kashingehk.com www.kashingehk.com</p> 	<p align="center">Illustration/ Drawing</p>    <p align="center">      </p>
---	---	---

Note:

** All information of the above is for reference only. No prior notice is made if any changes.*