
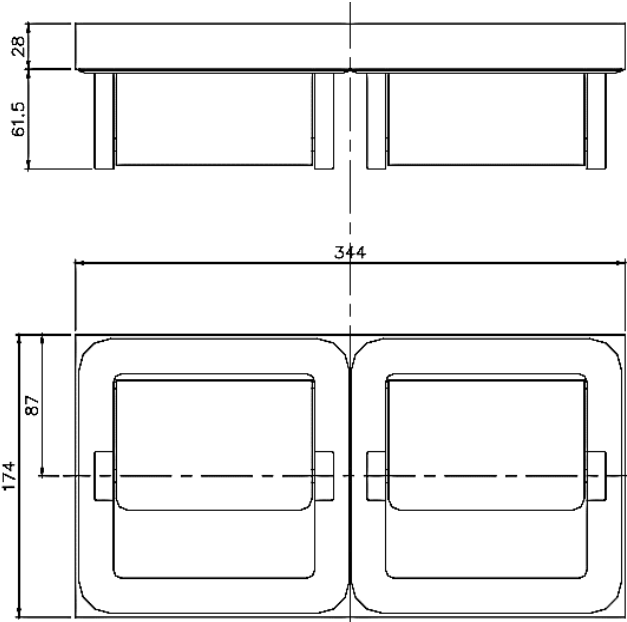









| | | | | | | |
|----------|--|------|--|-----|-----------|--|
| PROJECT | | REF | | REV | ITEM CODE | |
| LOCATION | | DATE | | | PAGE | |

SANITARY WARE SPECIFICATION SHEET

| | | |
|---|---|---|
| <p>Item Descriptions</p> <p>Bumhan (South Korea) stainless steel surface mounted double paper holder</p> | <p>Dimensions</p> <p>L344 x W28 x H174mm</p> <p>Model</p> <p>BP-302</p> <p>Material</p> <p>Stainless Steel</p> <p>Manufacturer</p> <p>Bumhan Industry Co., Ltd</p> <p>Source</p> <p>Ka Shing Enterprises (H.K) Limited Mr. Ivan Lau / Mr. GilmanYuen</p> <p>Contact Tel/Fax</p> <p>(852) 2628-0661 / (852) 2490-2700</p> <p>E-mail</p> <p>project@kashingehk.com</p> <p>Website</p> <p>www.kashingehk.com</p> | <p style="text-align: center;">Illustration/ Drawing</p> <div style="text-align: center;">  </div> <div style="text-align: center;">  </div> <div style="text-align: center;">  </div> <div style="display: flex; justify-content: center; gap: 10px;">     </div> |
|---|---|---|

Note:

* All information of the above is for reference only. No prior notice is made if any changes.