
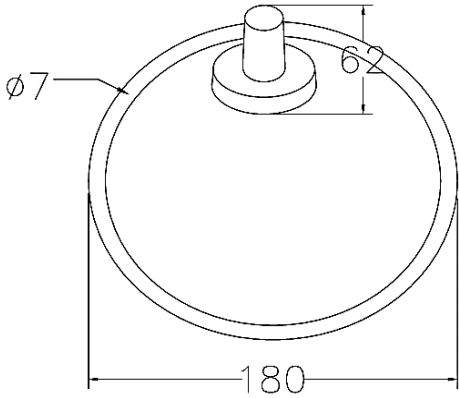








PROJECT		REF		REV	ITEM CODE	
LOCATION		DATE			PAGE	

SANITARY WARE SPECIFICATION SHEET

<p>Item Descriptions</p> <p>Dimensions</p> <p>Model</p> <p>Material</p> <p>Manufacturer</p> <p>Source</p> <p>Contact Tel/Fax</p> <p>E-mail</p> <p>Website</p>	<p>Bumhan (South Korea) Brass chrome plated concealed screw mounting towel ring</p> <p>Ø7 x Ø180 mm</p> <p>BT-40</p> <p>Chrome Plated Brass</p> <p>Bumhan Industry Co., Ltd</p> <p>Ka Shing Enterprises (H.K) Limited Mr. Ivan Lau / Mr. GilmanYuen</p> <p>(852) 2628-0661 / (852) 2490-2700 project@kashingehk.com www.kashingehk.com</p>	<p>Illustration/ Drawing</p>   <p>BUMHAN</p>    
---	--	--

Note:

* All information of the above is for reference only. No prior notice is made if any changes.