



# Ka Shing Enterprise (H.K.) Ltd.

ROOM 1706 NEW TERRITORIES TSUEN WAN HO LIK CENTRE, 66A SHA TSUI ROAD

Tel:26280661 Fax: 24902700



Email: project@kashingehk.com

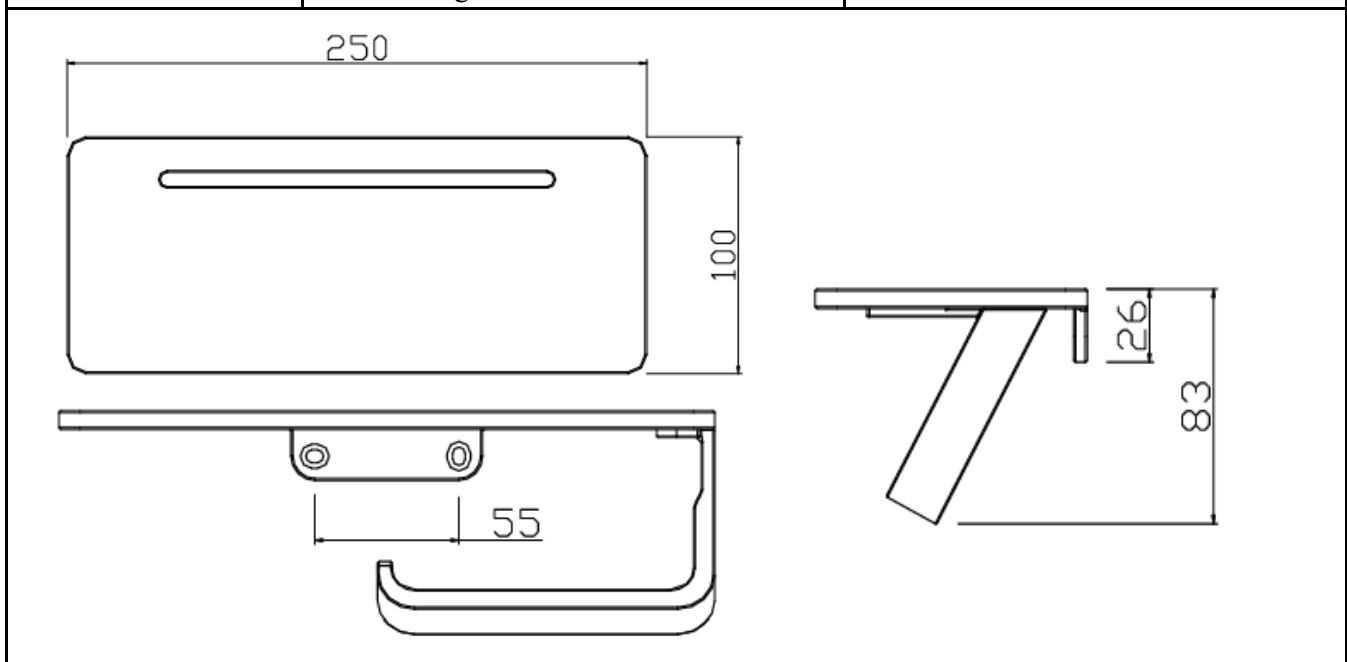
Website: www.kashingehk.com



PROJECT		REF		REV	ITEM CODE	
LOCATION		DATE			PAGE	

## SANITARY WARE SPECIFICATION SHEET

Item Descriptions	Bumhan (South Korea) Chrome plated shelf and toilet paper holder	<p>Illustration/ Drawing</p>  <p><b>BUMHAN</b></p> 
Dimensions	L250 x W100 x H83mm	
Model	KH-706S-9	
Material	Chrome Plated	
Manufacturer	Bumhan Industry Co., Ltd	
Source	Ka Shing Enterprises (H.K) Limited Mr. Ivan Lau / Mr. Gilman Yuen	
Contact Tel/Fax	(852) 2628-0661 / (852) 2490-2700	
E-mail	project@kashingehk.com	
Website	www.kashingehk.com	



### Note:

\* All information of the above is for reference only. No prior notice is made if any changes.