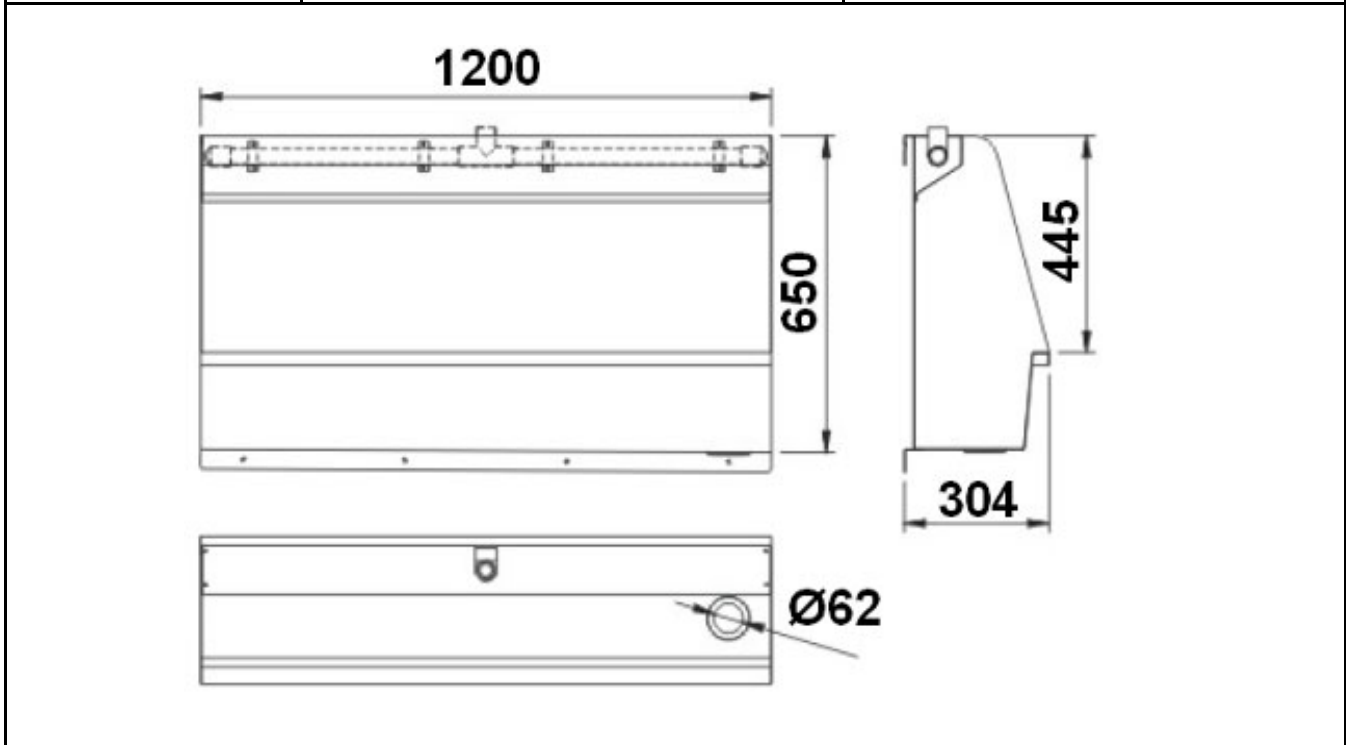




PROJECT		REF		REV	ITEM CODE	
LOCATION		DATE			PAGE	

SANITARY WARE SPECIFICATION SHEET

Item Descriptions	Casatino (PRC) Stainless steel wall hung urinal	<p align="center">Illustration/ Drawing</p> <p align="center">Tailor made</p> 
Dimensions	L1200 x W304 x H650 mm	
Model	KSE0200.200	
Finish	Stainless Steel 304/316	
Manufacturer	CASATINO (PRC)	
Source	Ka Shing Enterprises (H.K) Limited Mr. Ivan Lau / Mr. GilmanYuen	
Contact Tel/Fax	(852) 2628-0661 / (852) 2490-2700	
E-mail Website	project@kashingehk.com www.kashingehk.com	



Note:

* All information of the above is for the reference only. No prior notice is made if any changes.

