
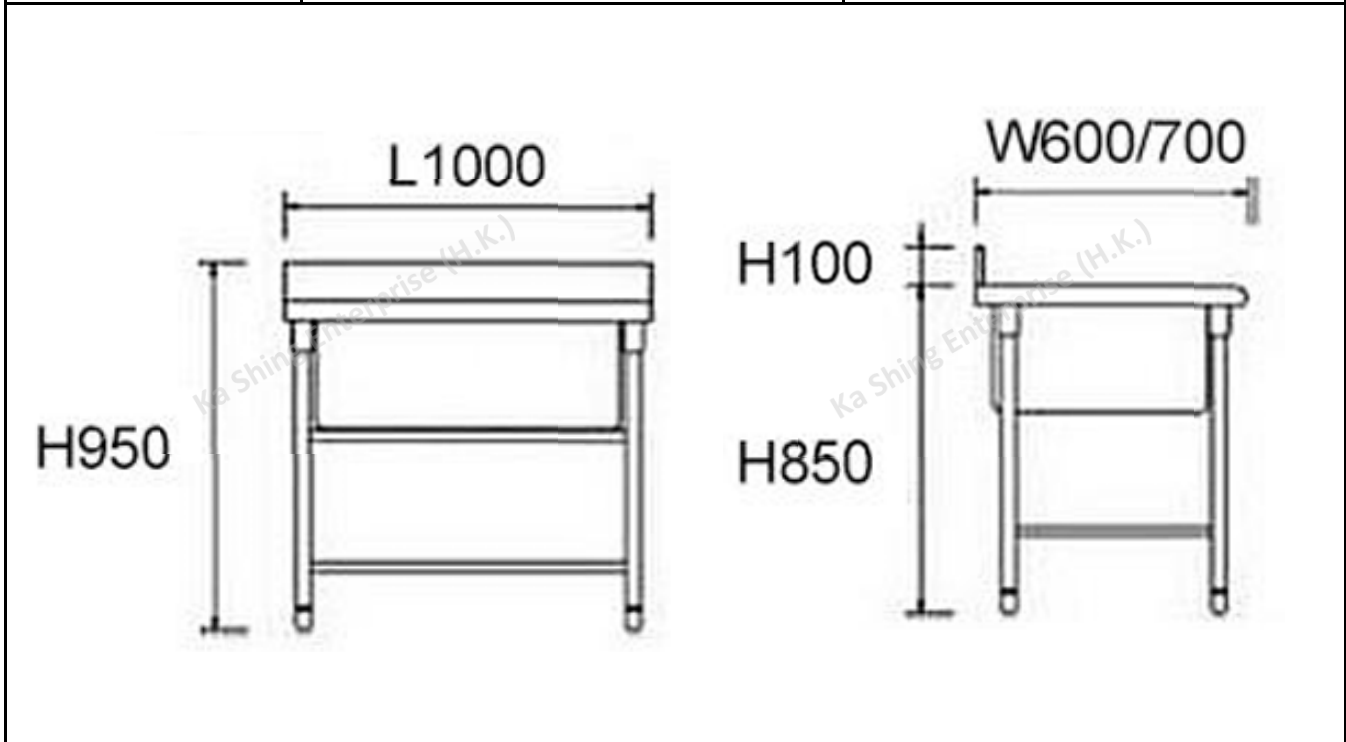




|          |  |      |  |     |           |  |
|----------|--|------|--|-----|-----------|--|
| PROJECT  |  | REF  |  | REV | ITEM CODE |  |
| LOCATION |  | DATE |  |     | PAGE      |  |

**SANITARY WARE SPECIFICATION SHEET**

|                   |   |   |
|-------------------|---|---|
| Item Descriptions | Casatino (PRC) 1.5mm stainless steel in <b>Grade 316</b> utility sink with insert single bowl without overflow hole and taphole | <p align="center">Illustration/ Drawing</p> <p align="center"><b>Tailor made</b></p>  <p align="center">(Imagereference only)</p> |
| Dimensions        | L1000 x W700 x H950 mm  |   |
| Model             | KSE0207.200   |   |
| Finish            | Stainless Steel Grade 316   |   |
| Manufacturer      | CASATINO (PRC)  |   |
| Source            | Ka Shing Enterprises (H.K) Limited<br>Mr. Ivan Lau / Mr. GilmanYuen   |   |
| Contact Tel/Fax   | (852) 2628-0661 / (852) 2490-2700   |   |
| E-mail            | project@kashingehk.com  |   |
| Website           | www.kashingehk.com  |   |



Note: Tailor-made sizes can be specified.

\* All information of the above is for the reference only. No prior notice is made if any changes.