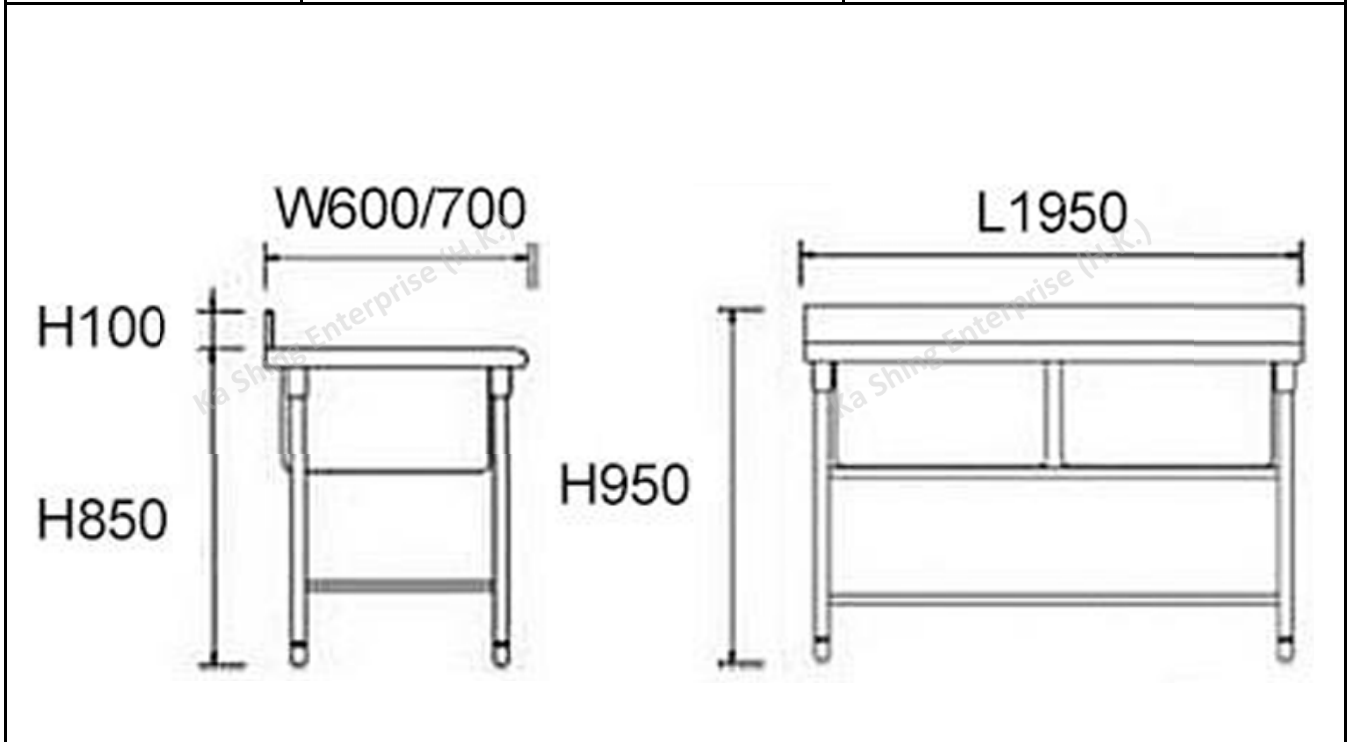




PROJECT		REF		REV	ITEM CODE	
LOCATION		DATE			PAGE	

**SANITARY WARE SPECIFICATION SHEET**

Item Descriptions	Casatino (PRC) 1.5mm stainless steel in <b>Grade 316</b> utility sink with insert single double without overflow hole and taphole	<p>Illustration/ Drawing</p> <p><b>Tailor made</b></p>  <p>(Imagereference only)</p>
Dimensions	L1950 x W700 x H950 mm	
Model	KSE0208.200	
Finish	Stainless Steel Grade 316	
Manufacturer	CASATINO (PRC)	
Source	Ka Shing Enterprises (H.K) Limited Mr. Ivan Lau / Mr. GilmanYuen	
Contact Tel/Fax	(852) 2628-0661 / (852) 2490-2700	
E-mail	project@kashingehk.com	
Website	www.kashingehk.com	



Note: Tailor-made sizes can be specified.

\* All information of the above is for the reference only. No prior notice is made if any changes.