
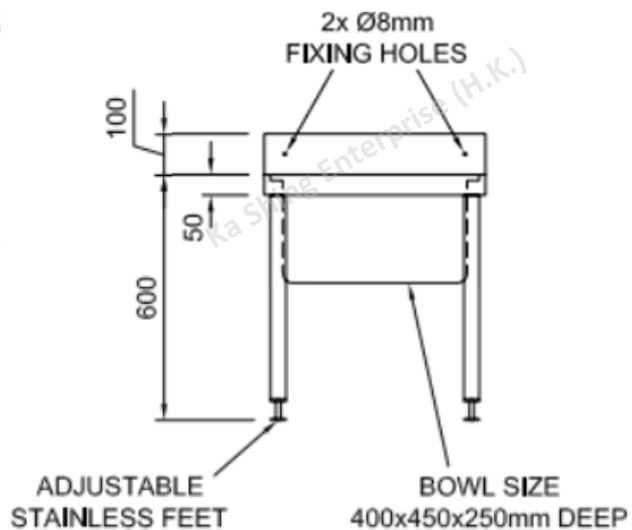
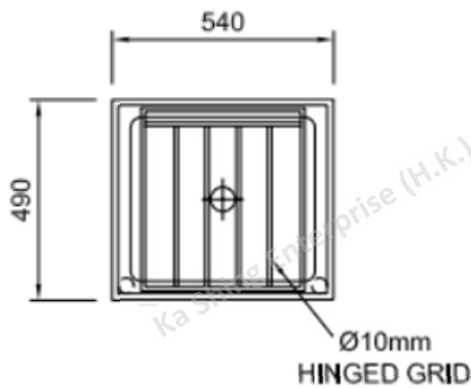




| | | | | | | |
|----------|--|------|--|-----|-----------|--|
| PROJECT | | REF | | REV | ITEM CODE | |
| LOCATION | | DATE | | | PAGE | |

SANITARY WARE SPECIFICATION SHEET

| | | |
|-------------------|--|---|
| Item Descriptions | Casatino (PRC) 1.2mm stainless steel in grade 316 & satin finish washing trough/cleaner sink with waste set and front legs | <p align="center">Illustration/ Drawing</p> <p align="center">Tailor made</p>  <p align="center">(Imagereference only)</p> |
| Dimensions | L490 x W540 x H700 mm (Overall) L400 x W450 x H250 mm (Bowl) | |
| Model | KSE0211.200 | |
| Finish | Stainless Steel Grade 316 | |
| Manufacturer | CASATINO (PRC) | |
| Source | Ka Shing Enterprises (H.K.) Limited Mr. Ivan Lau / Mr. Gilman Yuen | |
| Contact Tel/Fax | (852) 2628-0661 / (852) 2490-2700 | |
| E-mail | project@kashingehk.com | |
| Website | www.kashingehk.com | |



| SPECIFICATION | |
|---------------|---|
| Tops | 1.2mm gauge, high quality stainless steel, no. 4 finish |
| Grid | Hinged grid 10mm rod, full piano hinge |
| Frames | 38mm round stainless steel tube, satin polished, machined collars, adjustable stainless disc feet |
| Wall Brackets | 25mm square tube |

Note: Tailor-made sizes can be specified.

* All information of the above is for the reference only. No prior notice is made if any changes.