
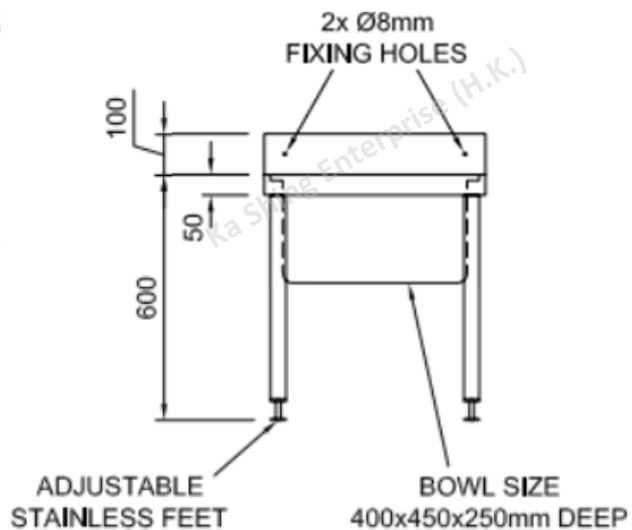
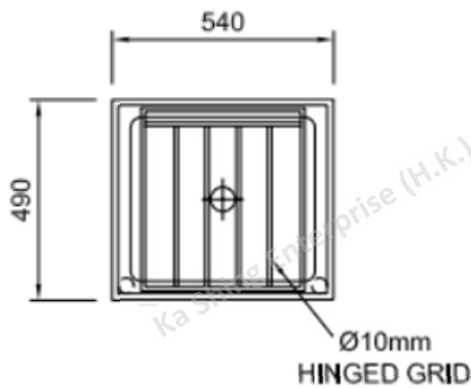




PROJECT		REF		REV	ITEM CODE	
LOCATION		DATE			PAGE	

SANITARY WARE SPECIFICATION SHEET

Item Descriptions	Casatino (PRC) 1.2mm stainless steel in grade 316 & satin finish washing trough/cleaner sink with waste set and front legs	<p align="center">Illustration/ Drawing</p> <p align="center">Tailor made</p>  <p align="center">(Imagereference only)</p>
Dimensions	L490 x W540 x H700 mm (Overall) L400 x W450 x H250 mm (Bowl)	
Model	KSE0211.200	
Finish	Stainless Steel Grade 316	
Manufacturer	CASATINO (PRC)	
Source	Ka Shing Enterprises (H.K.) Limited Mr. Ivan Lau / Mr. Gilman Yuen	
Contact Tel/Fax	(852) 2628-0661 / (852) 2490-2700	
E-mail	project@kashingehk.com	
Website	www.kashingehk.com	



SPECIFICATION	
Tops	1.2mm gauge, high quality stainless steel, no. 4 finish
Grid	Hinged grid 10mm rod, full piano hinge
Frames	38mm round stainless steel tube, satin polished, machined collars, adjustable stainless disc feet
Wall Brackets	25mm square tube

Note: Tailor-made sizes can be specified.

* All information of the above is for the reference only. No prior notice is made if any changes.