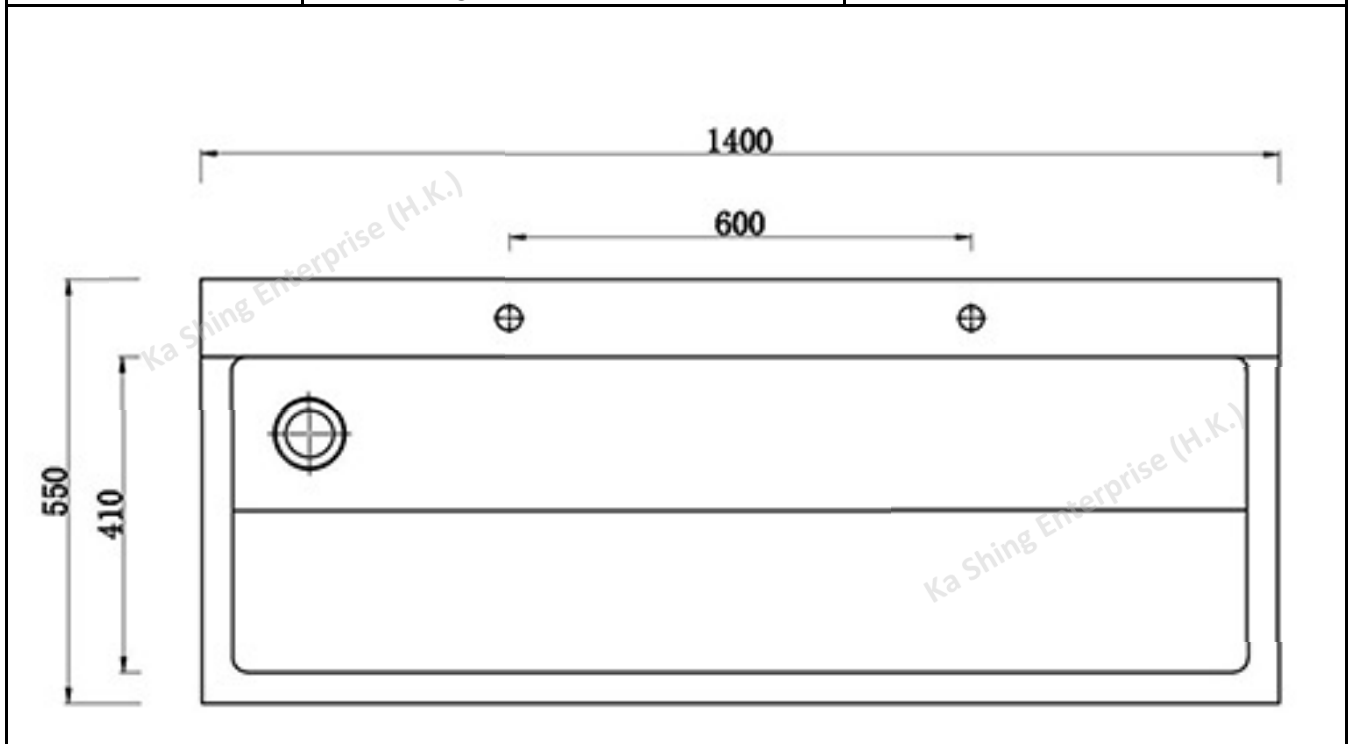




PROJECT		REF		REV	ITEM CODE	
LOCATION		DATE			PAGE	

SANITARY WARE SPECIFICATION SHEET

Item Descriptions	Casatino (PRC) 1.2mm stainless steel in grade 316 & satin finish washing trough	<p>Illustration/ Drawing</p> <p>Tailor made</p>  <p>(Imagereference only)</p>
Dimensions	L550 x W1400 x H660 mm	
Model	KSE0214.200	
Finish	Stainless Steel Grade 316	
Manufacturer	CASATINO (PRC)	
Source	Ka Shing Enterprises (H.K.) Limited Mr. Ivan Lau / Mr. GilmanYuen	
Contact Tel/Fax	(852) 2628-0661 / (852) 2490-2700	
E-mail	project@kashingehk.com	
Website	www.kashingehk.com	



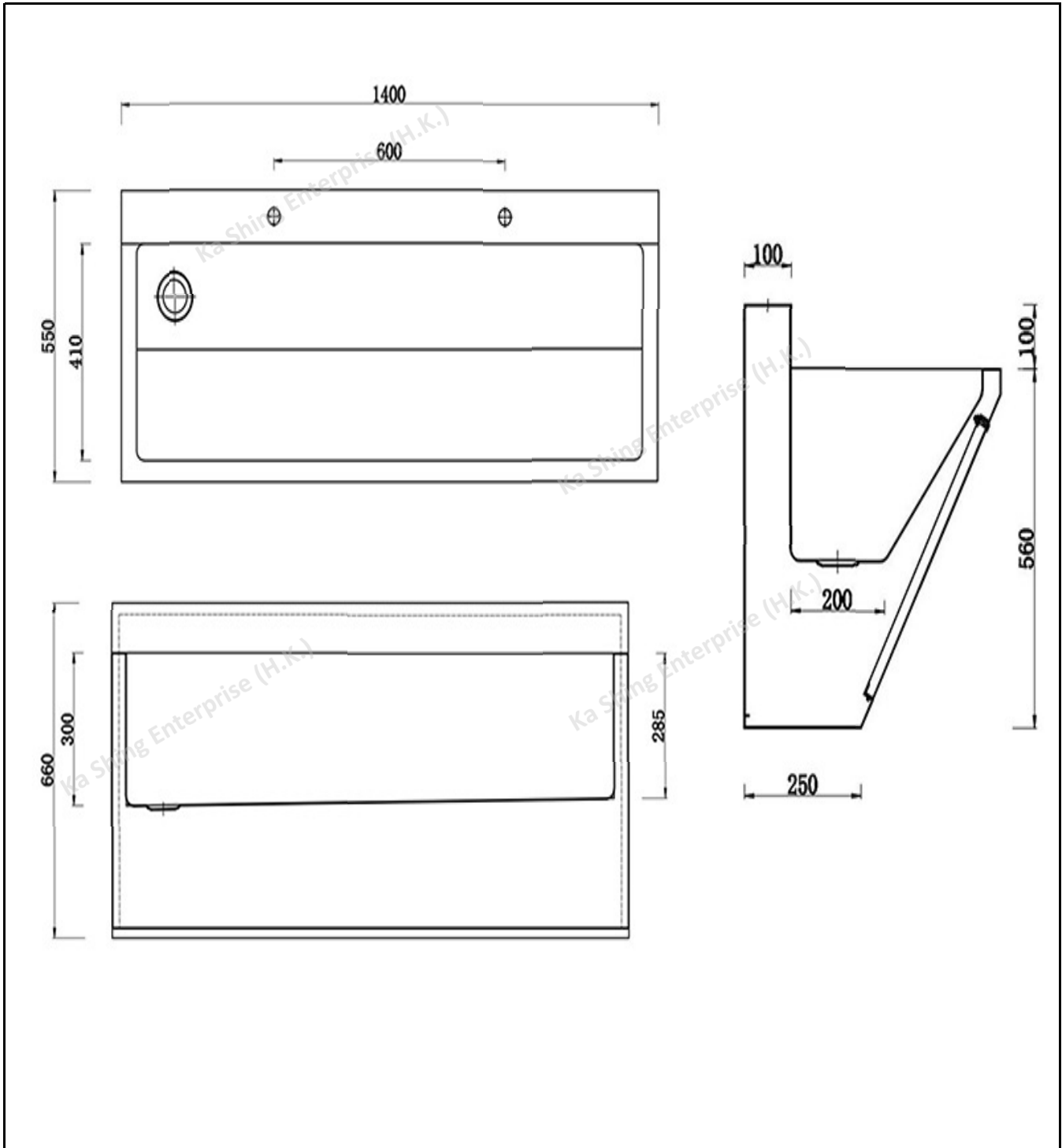
Note: Tailor-made sizes can be specified.

* All information of the above is for the reference only. No prior notice is made if any changes.



PROJECT		REF		REV	ITEM CODE	
LOCATION		DATE			PAGE	

SANITARY WARE SPECIFICATION SHEET



Note: Tailor-made sizes can be specified.

* All information of the above is for the reference only. No prior notice is made if any changes.