

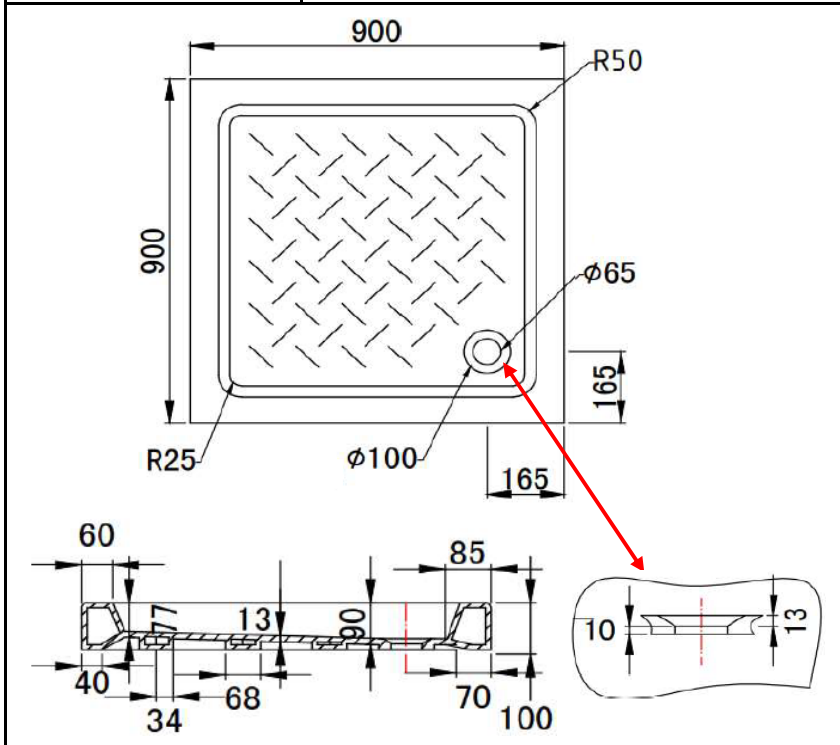




|          |  |      |  |     |           |  |
|----------|--|------|--|-----|-----------|--|
| PROJECT  |  | REF  |  | REV | ITEM CODE |  |
| LOCATION |  | DATE |  |     | PAGE      |  |

**SANITARY WARE SPECIFICATION SHEET**

|                   |   |  |
|-------------------|---|--|
| Item Descriptions | Casatino (PRC) Vitreous china square shower tray                    | <p align="center">Illustration/ Drawing</p>   |
| Dimensions        | L900 x W900 x H100 mm   |  |
| Model             | KSE0301.400   |  |
| Finish            | Vitreous China  |  |
| Manufacturer      | CASATINO (PRC)  |  |
| Source            | Ka Shing Enterprises (H.K) Limited<br>Mr. Ivan Lau / Mr. GilmanYuen |  |
| Contact Tel/Fax   | (852) 2628-0661 / (852) 2490-2700                                   |  |
| E-mail<br>Website | project@kashingehk.com<br>www.kashingehk.com                        |  |



|                      |                    |
|----------------------|--------------------|
| Basic Information:   |                    |
| Model No.:           | <b>900*900*100</b> |
| Tray Shape:          | Rectangular        |
| Tray Material:       | Ceramic            |
| Shower Mode:         | Combination Shower |
| Product Description: | <b>900*900*100</b> |
| Size:                |                    |
| Quality Standard:    | As per EN14527     |
| Packing:             | Pallets            |

Note:

\* All information of the above is for the reference only. No prior notice is made if any changes.



|          |  |      |  |     |           |  |
|----------|--|------|--|-----|-----------|--|
| PROJECT  |  | REF  |  | REV | ITEM CODE |  |
| LOCATION |  | DATE |  |     | PAGE      |  |

### SANITARY WARE SPECIFICATION SHEET

**A1 Product installation**

**A2**

**A3**

**A4**

**A5**

1

2

**A6**

Note:

\* All information of the above is for the reference only. No prior notice is made if any changes.