





PROJECT		REF		REV	ITEM CODE	
LOCATION		DATE			PAGE	

SANITARY WARE SPECIFICATION SHEET

<p>Item Descriptions</p> <p>Dimensions</p> <p>Model</p> <p>Finish</p> <p>Manufacturer</p> <p>Source</p> <p>Contact Tel/Fax</p> <p>E-mail</p> <p>Website</p>	<p>Casatino (PRC) Vitreous china square shower tray</p> <p>L800 x W1000 x H100 mm</p> <p>KSE0302.400</p> <p>Vitreous China</p> <p>CASATINO (PRC)</p> <p>Ka Shing Enterprises (H.K) Limited Mr. Ivan Lau / Mr. GilmanYuen</p> <p>(852) 2628-0661 / (852) 2490-2700 project@kashingehk.com www.kashingehk.com</p>	<p>Illustration/ Drawing</p>  																		
<table border="1"> <tr> <td>Basic Information:</td> <td></td> </tr> <tr> <td>Model No.:</td> <td>800*1000*100</td> </tr> <tr> <td>Tray Shape:</td> <td>Rectangular</td> </tr> <tr> <td>Tray Material:</td> <td>Ceramic</td> </tr> <tr> <td>Shower Mode:</td> <td>Combination Shower</td> </tr> <tr> <td>Product Description:</td> <td>800*1000*100</td> </tr> <tr> <td>Size:</td> <td></td> </tr> <tr> <td>Quality Standard:</td> <td>As per EN14527</td> </tr> <tr> <td>Packing:</td> <td>Pallets</td> </tr> </table>		Basic Information:		Model No.:	800*1000*100	Tray Shape:	Rectangular	Tray Material:	Ceramic	Shower Mode:	Combination Shower	Product Description:	800*1000*100	Size:		Quality Standard:	As per EN14527	Packing:	Pallets	
Basic Information:																				
Model No.:	800*1000*100																			
Tray Shape:	Rectangular																			
Tray Material:	Ceramic																			
Shower Mode:	Combination Shower																			
Product Description:	800*1000*100																			
Size:																				
Quality Standard:	As per EN14527																			
Packing:	Pallets																			

Note:

* All information of the above is for the reference only. No prior notice is made if any changes.



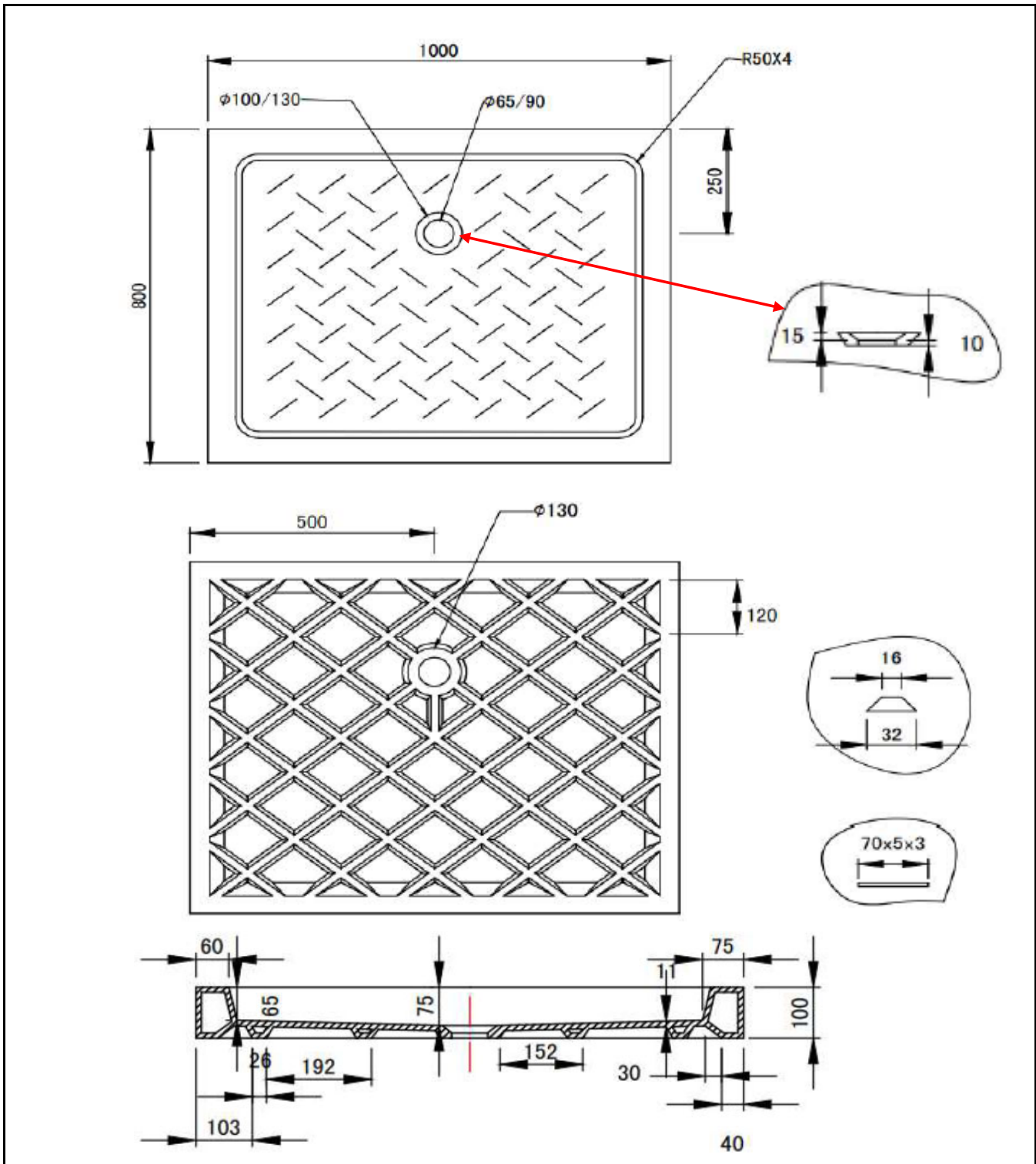
Ka Shing Enterprise (H.K.) Ltd.

ROOM 1706 NEW TERRITORIES TSUEN WAN HO LIK CENTRE, 66A SHA TSUI ROAD
Tel:26280661 Fax: 24902700
Email: project@kashingehk.com
Website: www.kashingehk.com

CASATINO

PROJECT		REF		REV	ITEM CODE	
LOCATION		DATE			PAGE	

SANITARY WARE SPECIFICATION SHEET



Note:

* All information of the above is for the reference only. No prior notice is made if any changes.

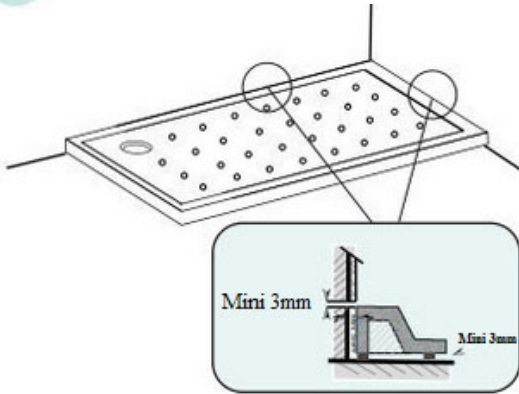


PROJECT		REF		REV	ITEM CODE	
LOCATION		DATE			PAGE	

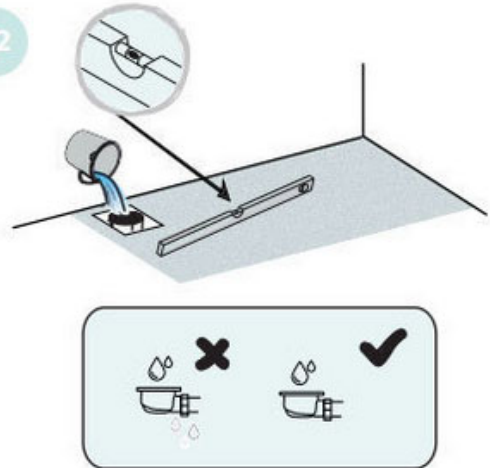
SANITARY WARE SPECIFICATION SHEET

A1

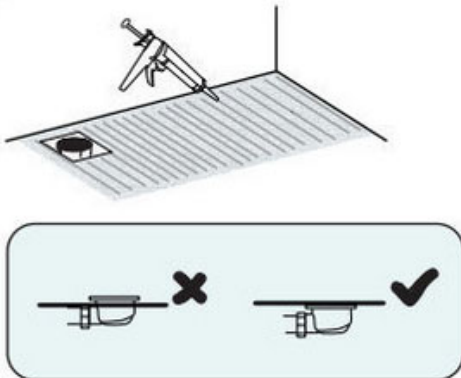
Product installation



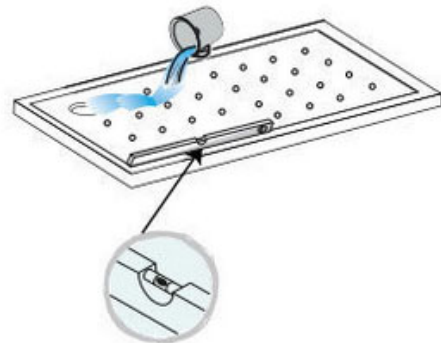
A2



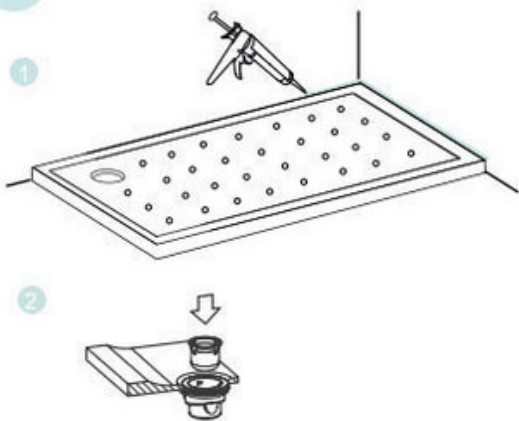
A3



A4



A5



A6



Note:

* All information of the above is for the reference only. No prior notice is made if any changes.