



PROJECT		REF		REV	ITEM CODE	
LOCATION		DATE			PAGE	

### SANITARY WARE SPECIFICATION SHEET

<p>Item Descriptions</p> <p>Dimensions</p> <p>Model</p> <p>Finish</p> <p>Manufacturer</p> <p>Source</p> <p>Contact Tel/Fax</p> <p>E-mail</p> <p>Website</p>	<p>Casatino (PRC) Vitreous china square shower tray</p> <p>L800 x W1200 x H100 mm</p> <p>KSE0303.400</p> <p>Vitreous China</p> <p>CASATINO (PRC)</p> <p>Ka Shing Enterprises (H.K) Limited Mr. Ivan Lau / Mr. GilmanYuen</p> <p>(852) 2628-0661 / (852) 2490-2700</p> <p>project@kashingehk.com</p> <p>www.kashingehk.com</p>	<p>Illustration/ Drawing</p>  																		
<table border="1"> <tr> <td colspan="2">Basic Information:</td> </tr> <tr> <td>Model No.:</td> <td><b>800*1200*100</b></td> </tr> <tr> <td>Tray Shape:</td> <td>Rectangular</td> </tr> <tr> <td>Tray Material:</td> <td>Ceramic</td> </tr> <tr> <td>Shower Mode:</td> <td>Combination Shower</td> </tr> <tr> <td>Product Description:</td> <td></td> </tr> <tr> <td>Size:</td> <td><b>800*1200*100</b></td> </tr> <tr> <td>Quality Standard:</td> <td>As per EN14527</td> </tr> <tr> <td>Packing:</td> <td>Pallets</td> </tr> </table>		Basic Information:		Model No.:	<b>800*1200*100</b>	Tray Shape:	Rectangular	Tray Material:	Ceramic	Shower Mode:	Combination Shower	Product Description:		Size:	<b>800*1200*100</b>	Quality Standard:	As per EN14527	Packing:	Pallets	
Basic Information:																				
Model No.:	<b>800*1200*100</b>																			
Tray Shape:	Rectangular																			
Tray Material:	Ceramic																			
Shower Mode:	Combination Shower																			
Product Description:																				
Size:	<b>800*1200*100</b>																			
Quality Standard:	As per EN14527																			
Packing:	Pallets																			

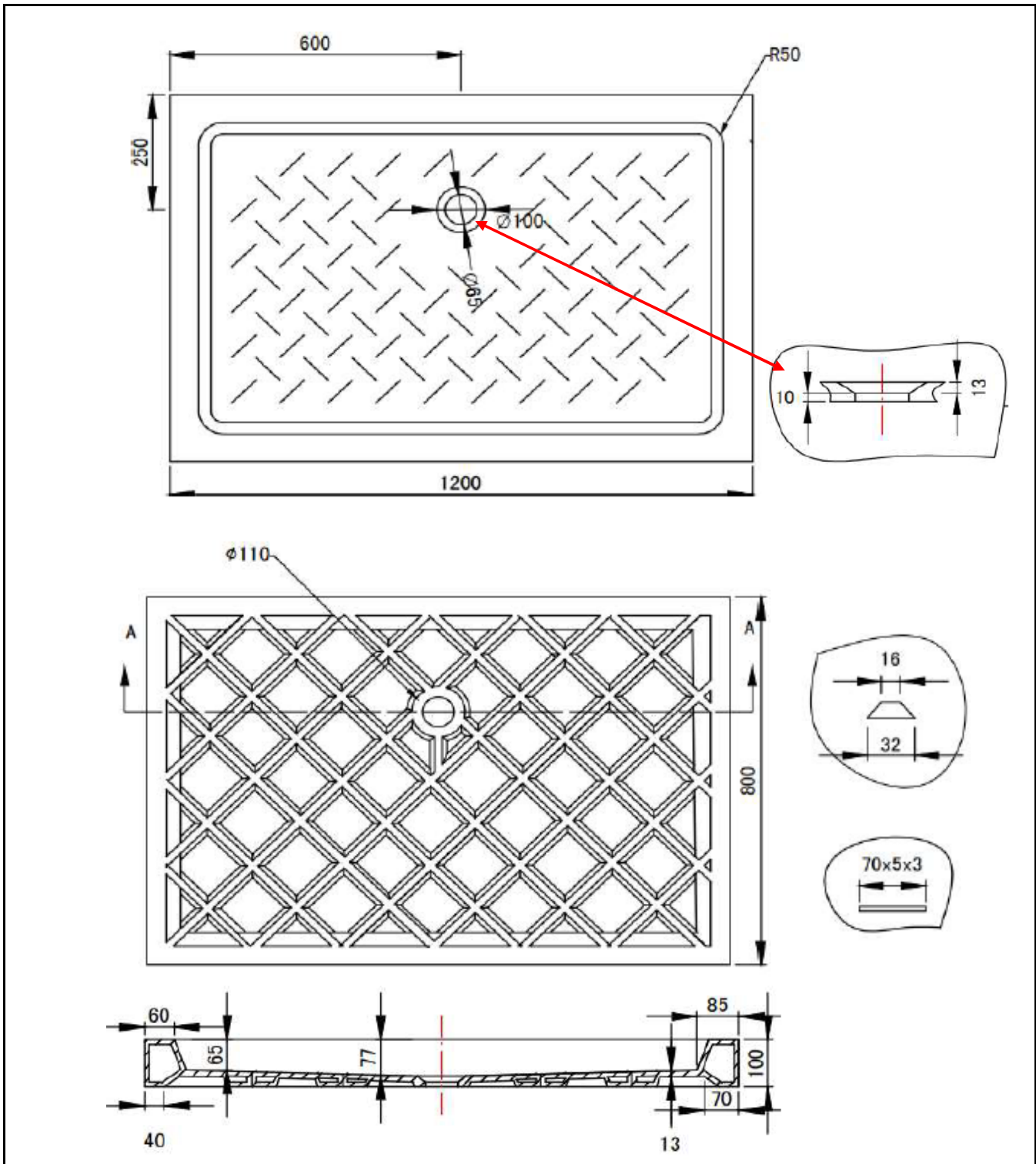
Note:

\* All information of the above is for the reference only. No prior notice is made if any changes.



PROJECT		REF		REV	ITEM CODE	
LOCATION		DATE			PAGE	

### SANITARY WARE SPECIFICATION SHEET



Note:

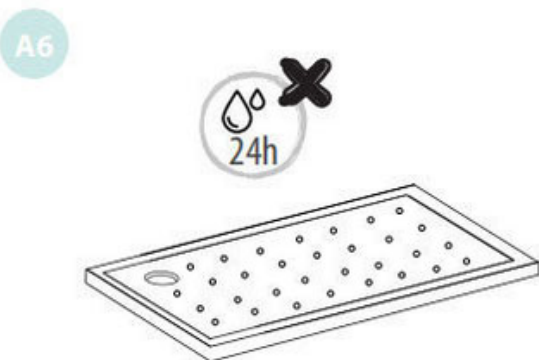
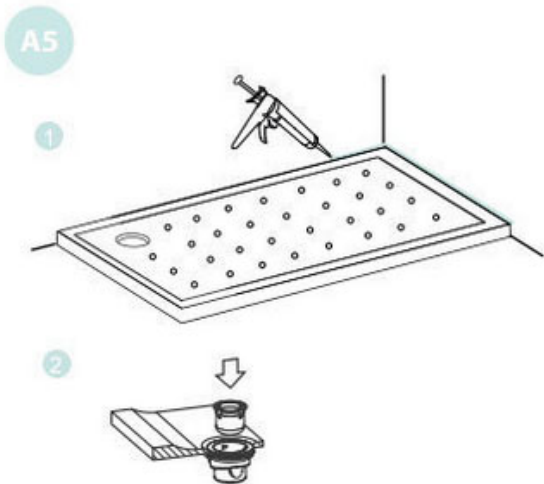
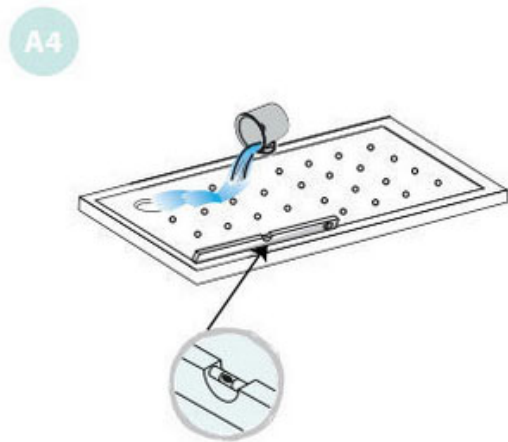
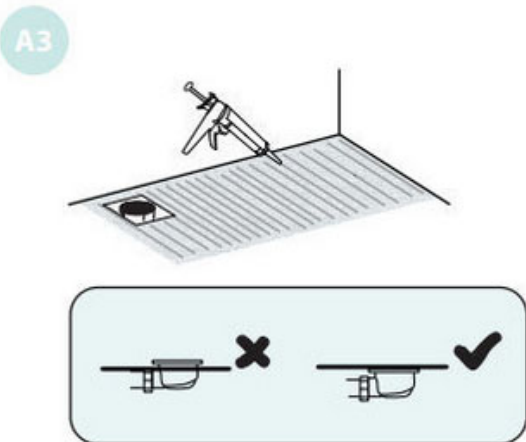
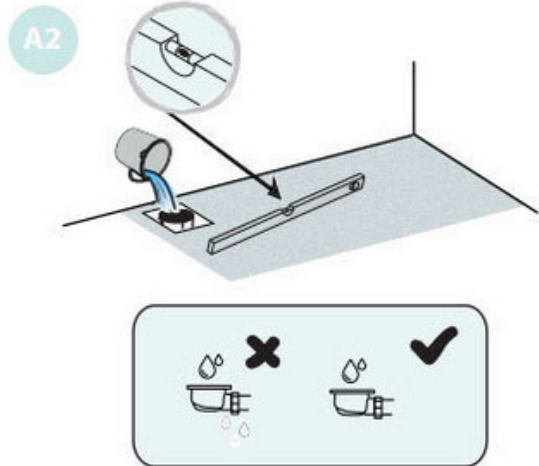
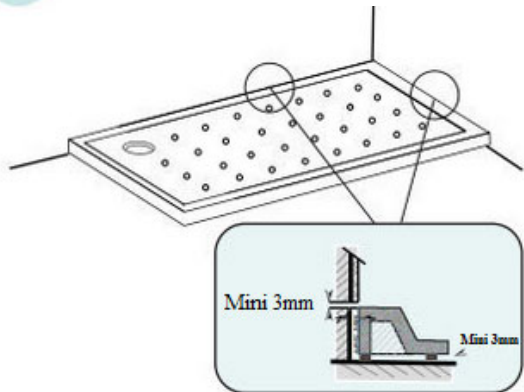
\* All information of the above is for the reference only. No prior notice is made if any changes.



PROJECT		REF		REV	ITEM CODE	
LOCATION		DATE			PAGE	

**SANITARY WARE SPECIFICATION SHEET**

**A1 Product installation**



Note:

\* All information of the above is for the reference only. No prior notice is made if any changes.