



PROJECT		REF		REV	ITEM CODE	
LOCATION		DATE			PAGE	

SANITARY WARE SPECIFICATION SHEET

Item Descriptions	Casatino (PRC) Vitreous china square shower tray	<p>Illustration/ Drawing</p>  																		
Dimensions	L720 x W900 x H100 mm																			
Model	KSE0305.400																			
Finish	Vitreous China																			
Manufacturer	CASATINO (PRC)																			
Source	Ka Shing Enterprises (H.K) Limited Mr. Ivan Lau / Mr. Gilman Yuen																			
Contact Tel/Fax	(852) 2628-0661 / (852) 2490-2700																			
E-mail	project@kashingehk.com																			
Website	www.kashingehk.com																			
<table border="1"> <tr> <td>Basic Information:</td> <td></td> </tr> <tr> <td>Model No.:</td> <td>720*900*100</td> </tr> <tr> <td>Tray Shape:</td> <td>Rectangular</td> </tr> <tr> <td>Tray Material:</td> <td>Ceramic</td> </tr> <tr> <td>Shower Mode:</td> <td>Combination Shower</td> </tr> <tr> <td>Product Description:</td> <td>720*900*100</td> </tr> <tr> <td>Size:</td> <td></td> </tr> <tr> <td>Quality Standard:</td> <td>As per EN14527</td> </tr> <tr> <td>Packing:</td> <td>Pallets</td> </tr> </table>		Basic Information:		Model No.:	720*900*100	Tray Shape:	Rectangular	Tray Material:	Ceramic	Shower Mode:	Combination Shower	Product Description:	720*900*100	Size:		Quality Standard:	As per EN14527	Packing:	Pallets	
Basic Information:																				
Model No.:	720*900*100																			
Tray Shape:	Rectangular																			
Tray Material:	Ceramic																			
Shower Mode:	Combination Shower																			
Product Description:	720*900*100																			
Size:																				
Quality Standard:	As per EN14527																			
Packing:	Pallets																			

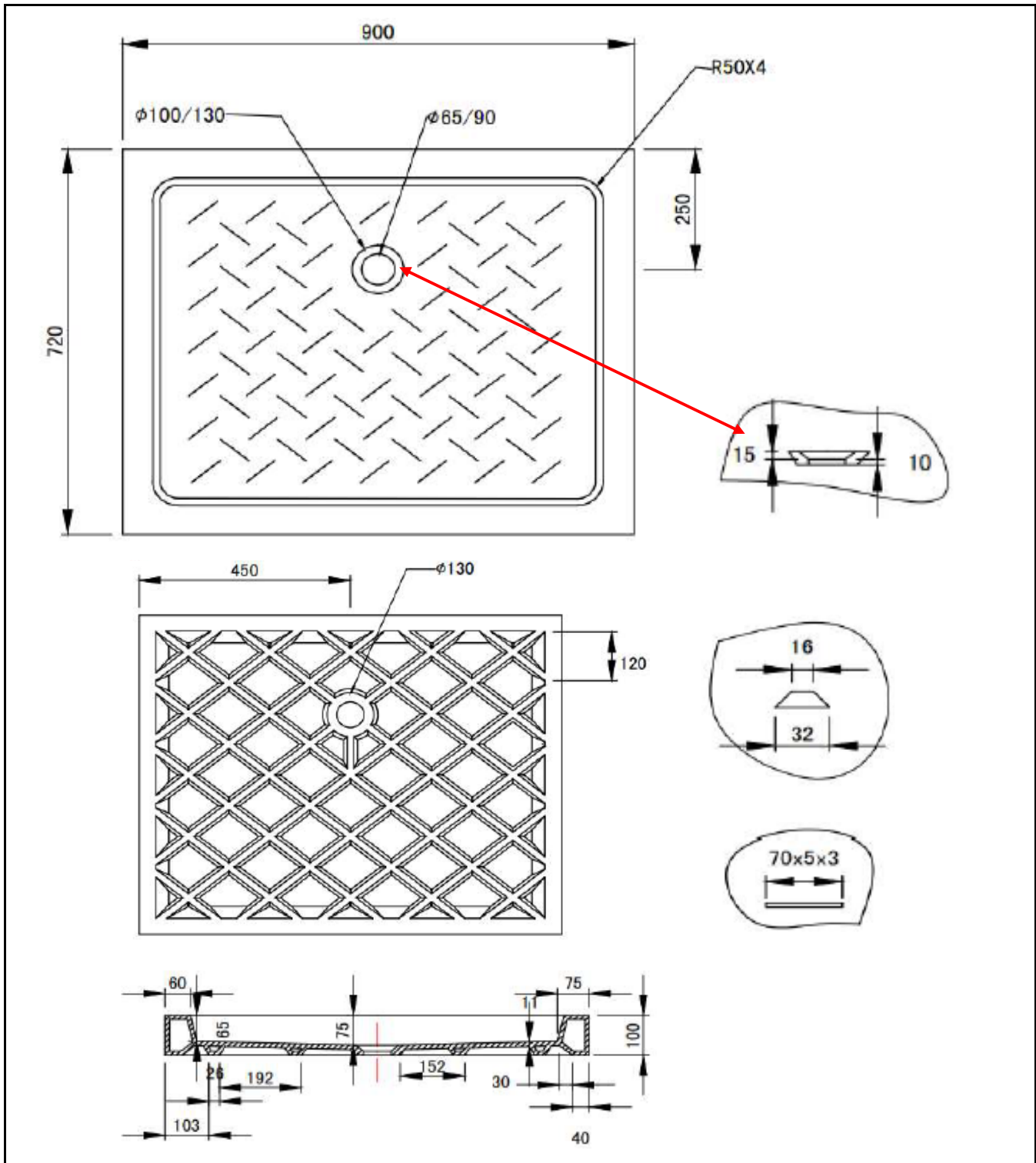
Note:

* All information of the above is for the reference only. No prior notice is made if any changes.



PROJECT		REF		REV	ITEM CODE	
LOCATION		DATE			PAGE	

SANITARY WARE SPECIFICATION SHEET



Note:

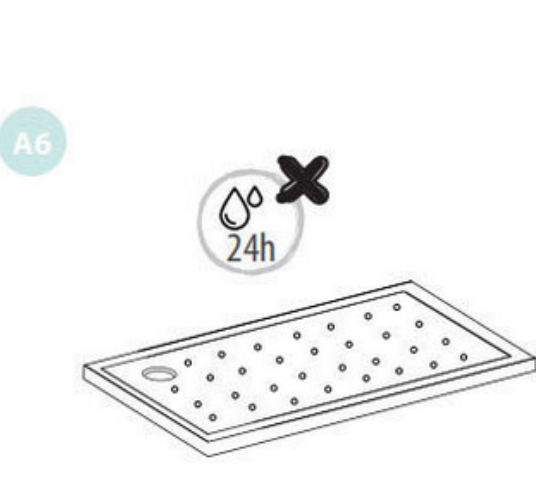
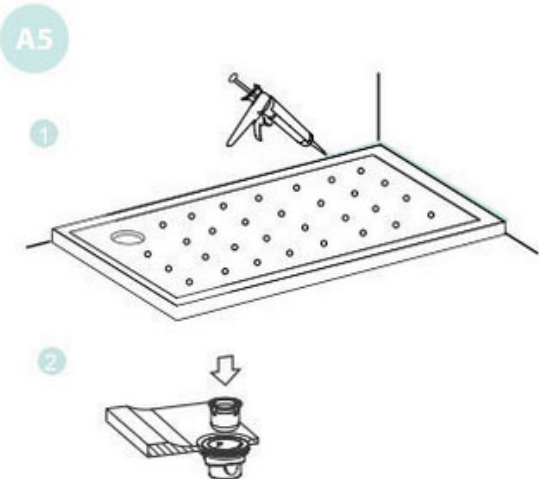
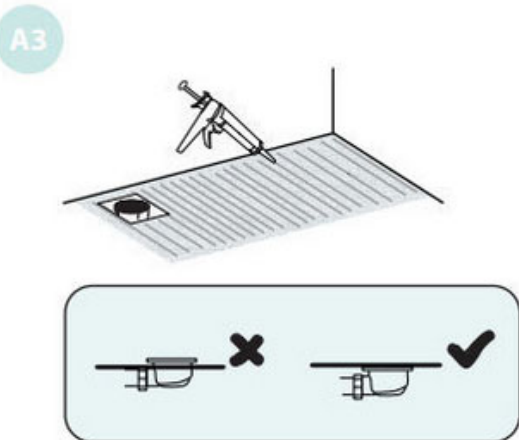
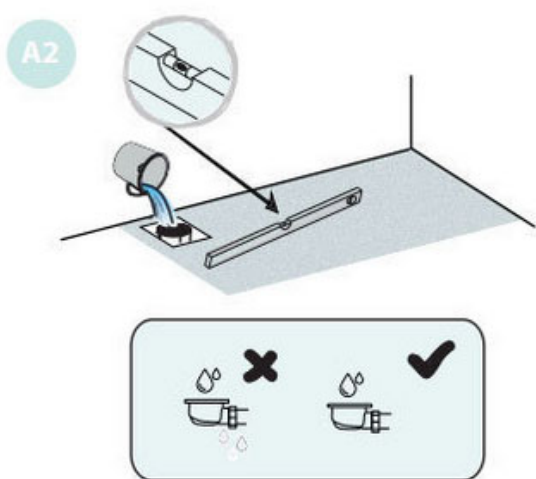
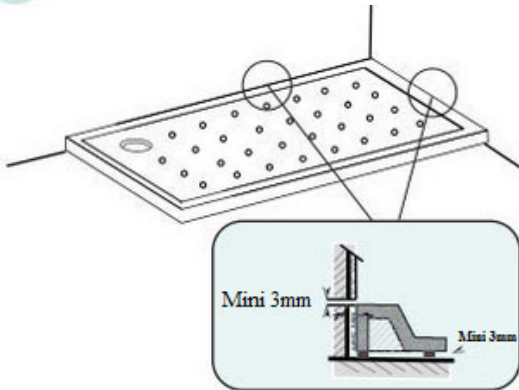
* All information of the above is for the reference only. No prior notice is made if any changes.



PROJECT		REF		REV	ITEM CODE	
LOCATION		DATE			PAGE	

SANITARY WARE SPECIFICATION SHEET

A1 Product installation



Note:

* All information of the above is for the reference only. No prior notice is made if any changes.