



PROJECT		REF		REV	ITEM CODE	
LOCATION		DATE			PAGE	

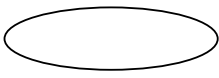
SANITARY WARE SPECIFICATION SHEET

Item Descriptions	Casatino (PRC) Cast iron bathtub with anti-slip surface	<p>Illustration/ Drawing</p>
Dimensions	L1500 x W700 x H420 mm	
Model	KSE0703.400	
Finish	Cast Iron	
Manufacturer	CASATINO (PRC)	
Source	Ka Shing Enterprises (H.K) Limited Mr. Ivan Lau / Mr. GilmanYuen	
Contact Tel/Fax	(852) 2628-0661 / (852) 2490-2700	
E-mail	project@kashingehk.com	
Website	www.kashingehk.com	

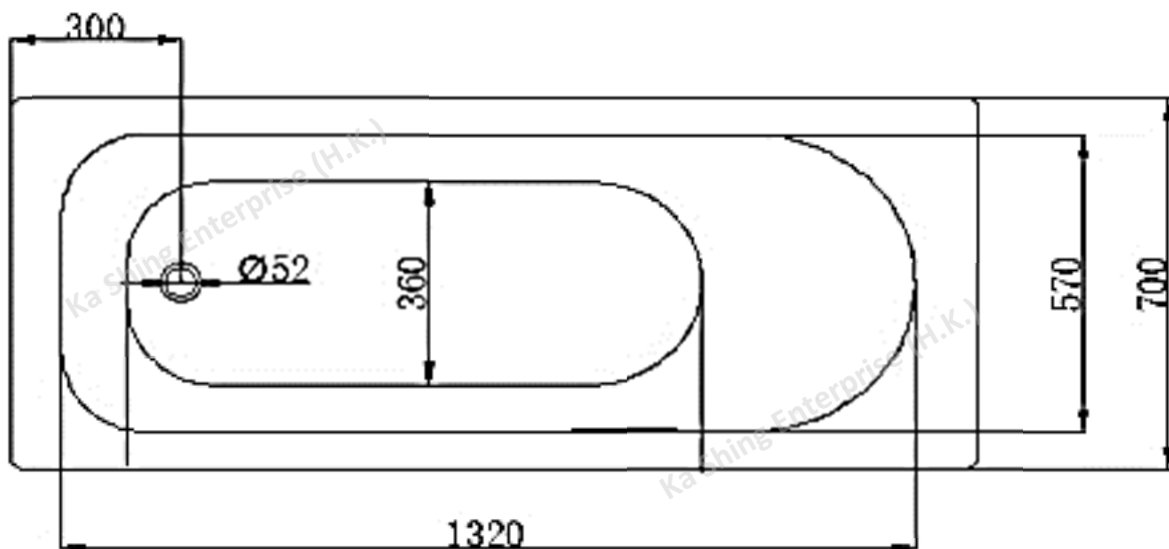
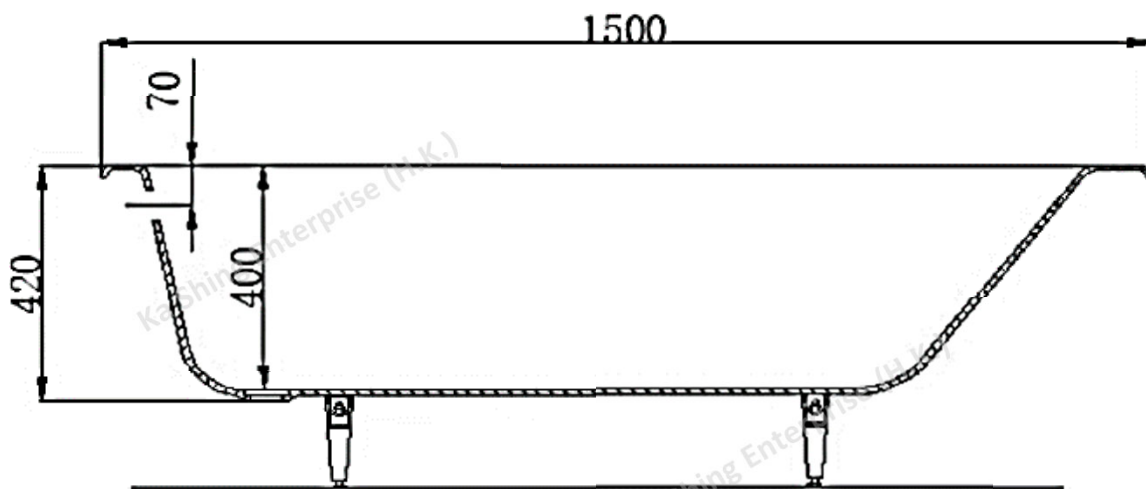
Note:

* All information of the above is for the reference only. No prior notice is made if any changes.



PROJECT		REF		REV	ITEM CODE	
LOCATION		DATE			PAGE	

SANITARY WARE SPECIFICATION SHEET



Note:

* All information of the above is for the reference only. No prior notice is made if any changes.



PROJECT		REF		REV	ITEM CODE	
LOCATION		DATE			PAGE	

SANITARY WARE SPECIFICATION SHEET

Tools and Materials



Safety Glasses



Tape Measure



Pencil



Level



Blade Screwdriver



Phillips Screwdriver



Sealant



Square



Knife

Installation Instructions

Cast Iron Baths

Plus:

- Conventional woodworking tools and materials
- Drop cloth
- 2x4's or 2x6's
- Water-resistant wall material
- Metal shims
- Rags

Before You Begin

- Follow all local plumbing and building codes.



CAUTION: Risk of personal injury. Cast iron baths are extremely heavy. Obtain sufficient help to carefully lift or move the bath.



CAUTION: Risk of product or property damage. Do not support the bath by the rim. Provide adequate support under the feet.



CAUTION: Risk of product damage. Not recommended for installation in a continuously wet environment.



CAUTION: Risk of product damage. If welding is required, cover the bath's surface to prevent welding deposits from damaging the enamel surface.

IMPORTANT: The bath must be installed indoors. Outdoor installation will void the warranty.

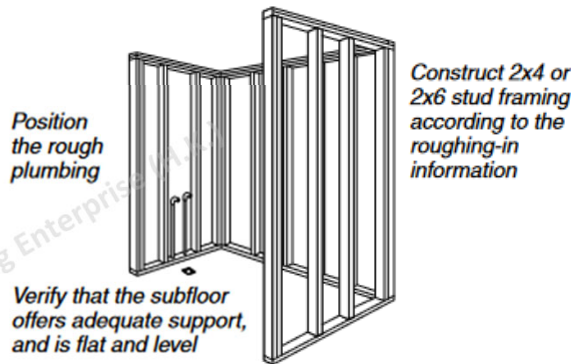
- Unpack and inspect the bath for damage. Return the bath to the carton until you are ready to install.
- This bath is designed for alcove installation.
- Apron baths are not reversible. If the drain and the faucet supplies are located on the left end of the alcove area, the installation requires a left-outlet bath.
- Provide properly dimensioned framing.
- Install the bath to an adequately supported, level subfloor.
- Before installation, ensure proper access to the final plumbing connections.
- Illustrations shown may not represent your actual product.

Note:



PROJECT		REF		REV	ITEM CODE	
LOCATION		DATE			PAGE	

SANITARY WARE SPECIFICATION SHEET



Alcove Installation

1. Prepare the Site

NOTICE: Adequate floor support must be provided. Consult the roughing-in sheet packed with your bath for specific floor loading requirements.

- Make sure the flooring offers adequate support for your bath, and verify that the subfloor is flat and level.
- This bath should be installed in an alcove installation.
- When constructing the framing, allow for the thickness of the finished wall materials.

CAUTION: Risk of product or property damage. Do not support the bath by the rim. Provide adequate support under the feet.

- Construct 2x4 or 2x6 stud framing according to the roughing-in information packed with the bath.
- Position the plumbing according to the roughing-in information. Cap the supplies and check for leaks.
- Unless the bath is elevated for an above-floor drain installation, a hole will need to be cut to accommodate the drain connections. Refer to the roughing-in information.

NOTE: For corner installations, cut a hole large enough to allow for the diagonal positioning of the drain.

2. Prepare the Bath

CAUTION: Risk of personal injury. Cast iron baths are extremely heavy. Obtain sufficient help to carefully lift or move the bath.

CAUTION: Risk of product or property damage. Do not support the bath by the rim. Provide adequate support under the feet.

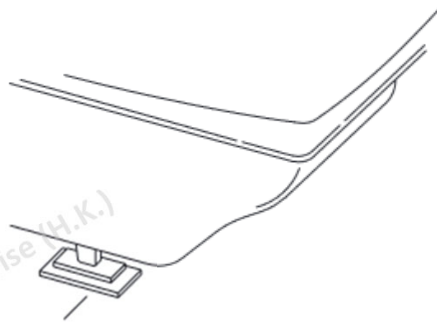
- Install the drain to the bath according to the drain manufacturer's instructions. Do not connect the trap at this time.
- Position a clean drop cloth or similar material in the bottom of the bath. Be careful not to scratch the surface of the bath.

Note:



PROJECT		REF		REV	ITEM CODE	
LOCATION		DATE			PAGE	

SANITARY WARE SPECIFICATION SHEET



Level by fitting metal shims under the bath feet

3. Install the Bath

CAUTION: Risk of personal injury. Cast iron baths are extremely heavy. Obtain sufficient help to carefully lift or move the bath.

CAUTION: Risk of product or property damage. Do not support the bath by the rim. Provide adequate support under the feet.

- With help, carefully move the bath into place.
- Insert the drain tailpiece into the trap.

NOTE: An access panel will simplify future maintenance.

- Level the bath by fitting metal shims under the bath feet as needed.

NOTE: Do not use drywall plaster to support the bath.

- The bath must be resting on all four feet.
- If the feet are not accessible from the back or side, move the bath in and out to shim it properly.
- Verify that the bath is level across the top and along the drain side.

4. Install the Plumbing

CAUTION: Risk of property damage. Make sure a watertight seal exists on all bath drain connections.

NOTE: Provide access to all plumbing connections to simplify future maintenance.

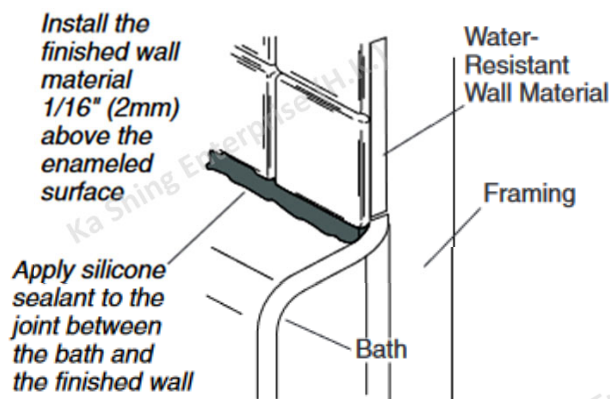
- Connect the trap to the drain according to the drain manufacturer's instructions.
- Install the faucet valving according to the faucet manufacturer's instructions. **Do not** install the faucet trim at this time.
- Open the hot and cold water supplies and check all connections for leaks.
- Run water into the bath and check the drain connections for leaks.
- Fill the bath to the overflow and check for leaks.

Note:



PROJECT		REF		REV	ITEM CODE	
LOCATION		DATE			PAGE	

SANITARY WARE SPECIFICATION SHEET



5. Complete the Installation

- If your bath requires grip rails, install them now according to the packed instructions.
- Cover the framing with water-resistant wall material.
- Seal the joints between the bath rim edges and the water-resistant wall material with silicone sealant. Tape and mud the water-resistant wall material.
- Install the finished wall material so it is 1/16" (2mm) above the enameled surface. Seal the joints between the bath rim and the finished wall with silicone sealant.
- Install the faucet trim according to the faucet manufacturer's instructions.

Clean-Up

When cleaning up after installation, **do not use abrasive cleaners**, as they may scratch and dull the bath surface. Use warm water and a liquid, non-abrasive detergent to clean the surface.



CAUTION: Risk of product damage. Do not allow cleaners containing petroleum distillates to remain in contact with the surface for long periods of time.

Remove stubborn stains, paint, or tar with turpentine or paint thinner. Remove plaster by scraping with a wood edge. Do not use metal scrapers, wire brushes, or other metal tools. You can use a powder-type detergent on a damp cloth to provide mild abrasive action to any residual plaster.

Note: