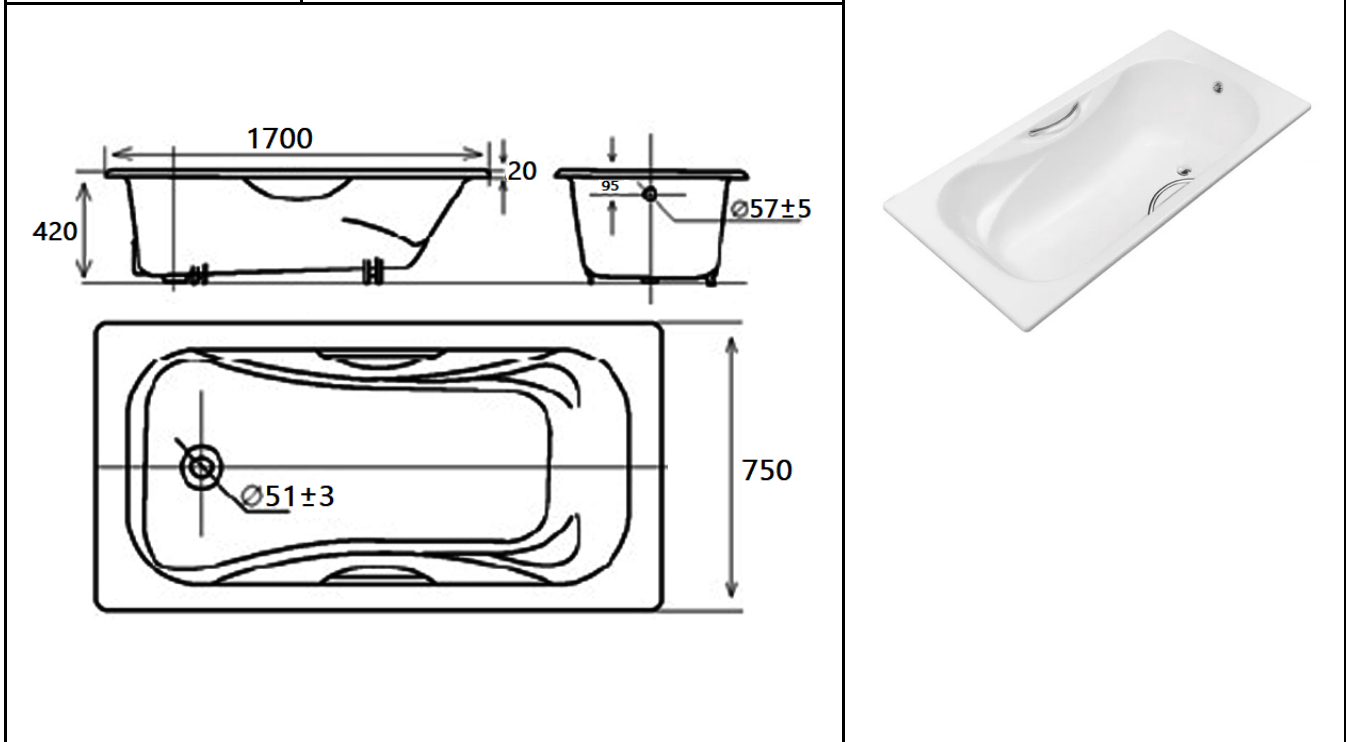




PROJECT		REF		REV	ITEM CODE	
LOCATION		DATE			PAGE	

SANITARY WARE SPECIFICATION SHEET

Item Descriptions	Casatino (PRC) Cast iron bathtub with anti-slip surface with grip bar comply with BS 1390	Illustration/ Drawing
Dimensions	L1700 x W750 x H420 mm	
Model	KSE0706.400	
Finish	Cast Iron	
Manufacturer	CASATINO (PRC)	
Source	Ka Shing Enterprises (H.K) Limited Mr. Ivan Lau / Mr. Gilman Yuen	
Contact Tel/Fax	(852) 2628-0661 / (852) 2490-2700	
E-mail	project@kashingehk.com	
Website	www.kashingehk.com	



Note:

** All information of the above is for the reference only. No prior notice is made if any changes.*

