



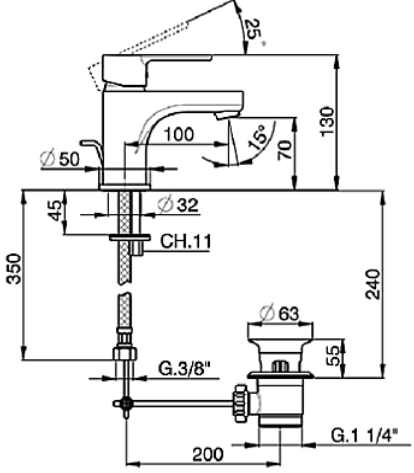




PROJECT		REF		REV	ITEM CODE	
LOCATION		DATE			PAGE	

SANITARY WARE SPECIFICATION SHEET

Item Descriptions	Cisal (Italy) Single lever washbasin mixer, with automatic 1"1/4 automatic pop-up waste, G.3/8" stainless steel flexible hoses	Illustration/ Drawing  
Model	C2-49	
Finish	Chrome Plated	
Manufacturer	Cisal (Italy)	
Source	Ka Shing Enterprises (H.K.) Limited Mr. Ivan Lau / Mr. Gilman Yuen	
Contact Tel/Fax	(852) 2628-0661 / (852) 2490-2700	
E-mail	project@kashingehk.com	
Website	www.kashingehk.com	
<div style="display: flex; justify-content: space-around; align-items: center;"> <div style="text-align: center;">  <p>EcoStop</p> <p>EcoStop feature limits water flow to approximately 50% of maximum output with one point of resistance on setting. Push slightly past the middle stop only when full water output is required. This will save water up to 50%.</p> </div> <div style="text-align: center;">  <p>EnergySave</p> <p>Thanks to the EnergySave device, only cold water will be drawn if the lever is operated in the central position, so that the water heater will not be engaged and no hot water wasted, leading to considerable savings in energy and costs. The temperature can be adjusted by rotating the lever to the left, until the desired temperature is reached.</p> </div> </div>		

Note:

* All information of the above is for the reference only. No prior notice is made if any changes.