



Ka Shing Enterprise (H.K.) Ltd.

ROOM 1706 NEW TERRITORIES TSUEN WAN HO LIK CENTRE, 66A SHA TSUI ROAD



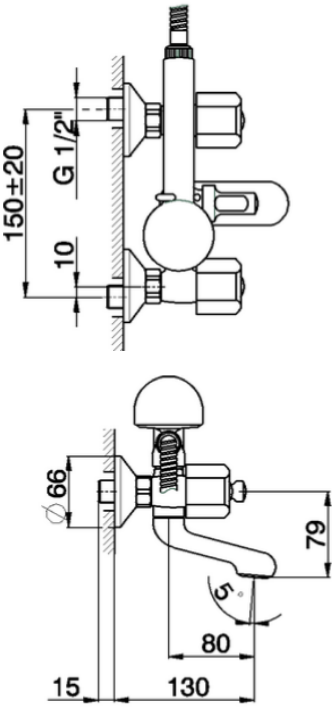
Tel:26280661 Fax: 24902700

Email: project@kashingehk.com

Website: www.kashingehk.com

PROJECT		REF		REV	ITEM CODE	
LOCATION		DATE			PAGE	

SANITARY WARE SPECIFICATION SHEET

<p>Item Descriptions</p> <p>Model</p> <p>Finish</p> <p>Manufacturer</p> <p>Source</p> <p>Contact Tel/Fax</p> <p>E-mail</p> <p>Website</p>	<p>Cisal (Italy) External bath and shower mixer, 1-jet hand-shower, adjustable support, flexible 1500 mm</p> <p>TR10</p> <p>Chrome Plated</p> <p>Cisal (Italy)</p> <p>Ka Shing Enterprises (H.K.) Limited Mr. Ivan Lau / Mr. GilmanYuen</p> <p>(852) 2628-0661 / (852) 2490-2700 project@kashingehk.com www.kashingehk.com</p>	<p>Illustration/ Drawing</p>   
---	--	---

Note:

* All information of the above is for the reference only. No prior notice is made if any changes.