



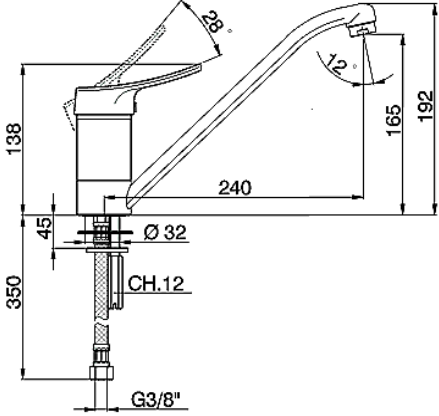


# Ka Shing Enterprise (H.K.) Ltd.

ROOM 1706 NEW TERRITORIES TSUEN WAN HO LIK CENTRE, 66A SHA TSUI ROAD  
Tel:26280661 Fax: 24902700  
Email: project@kashingehk.com  
Website: www.kashingehk.com

PROJECT		REF		REV	ITEM CODE	
LOCATION		DATE			PAGE	

## SANITARY WARE SPECIFICATION SHEET

<p>Item Descriptions</p>          <p>Model</p> <p>Finish</p> <p>Manufacturer</p> <p>Source</p> <p>Contact Tel/Fax</p> <p>E-mail</p> <p>Website</p>	<p>Cisal (Italy) Chrome plated Single lever sink mixer,swivel spout,G.3/8" stainless steel flexible hoses</p>  <p>FUM58</p> <p>Chrome Plated</p> <p>Cisal (Italy)</p> <p>Ka Shing Enterprises (H.K) Limited Mr. Ivan Lau / Mr. GilmanYuen</p> <p>(852) 2628-0661 / (852) 2490-2700 project@kashingehk.com www.kashingehk.com</p>	<p>Illustration/ Drawing</p>    
---	--	--

Note:

\* All information of the above is for the reference only. No prior notice is made if any changes.