



PROJECT		REF		REV	ITEM CODE	
LOCATION		DATE			PAGE	

SANITARY WARE SPECIFICATION SHEET

Item Descriptions	Delabie (France) "TEMPOSOFT 2" Wall mounted self-closing basin tap; nominated flow rate 3.3 L/min in WELS Grade 2;Registration No. TN 20-0082	Illustration/ Drawing										
Model	741500											
Material/ Finish	Brass/ Chrome Plated											
Manufacturer	Delabie (France)											
Source	Ka Shing Enterprises (H.K) Limited Mr. Ivan Lau / Mr. GilmanYuen											
Contact Tel/Fax	(852) 2628-0661 / (852) 2490-2700											
E-mail Website	project@kashingehk.com www.kashingehk.com											
DESCRIPTION TEMPOSOFT 2 time flow tap Ref. 741500 Wall-mounted time flow basin tap: Soft-touch operation. Time flow ~7 seconds. Flow rate pre-set at 3 lpm at 3 bar, can be adjusted from 1.4 to 6 lpm. Tamperproof scale-resistant flow straightener. Solid chrome-plated brass body M½". L. 110mm. Supplied with red and blue markers. Suitable for people with reduced mobility.		ADVANTAGES <ul style="list-style-type: none"> Exceptional water savings: 85% Smooth design Soft-touch operation 										
TECHNICAL CHARACTERISTICS TEMPOSOFT 2 time flow tap - Ref. 741500 <table border="1" style="width: 100%;"> <tr> <td>Connector</td> <td>M½"</td> </tr> <tr> <td>Technology</td> <td>Time flow</td> </tr> <tr> <td>Spout length</td> <td>110mm</td> </tr> <tr> <td>Flow rate</td> <td>3 lpm</td> </tr> <tr> <td>Norms</td> <td> </td> </tr> </table>		Connector	M½"	Technology	Time flow	Spout length	110mm	Flow rate	3 lpm	Norms		
Connector	M½"											
Technology	Time flow											
Spout length	110mm											
Flow rate	3 lpm											
Norms												

Note:

* All information of the above is for the reference only. No prior notice is made if any changes.



自願參與用水效益標籤計劃 - 水龍頭
Voluntary Water Efficiency Labelling Scheme - Water Taps


Certificate of Registration 註冊證書



茲證明
This is to certify that

將下列水龍頭在本計劃內註冊：
has registered the following water tap under this scheme :

牌 子 / Brand	:	Delable
型 號 / Model	:	741500
種 類 / Type	:	Non-mixing
原產地 / Country or Region Origin	:	France

在用水效益標籤上展示的標誌 <i>Symbolic Presentation on the Water Efficiency Label</i>	:		滴水點 <i>Water droplet(s)</i>
用水效益級別 <i>Water Efficiency Grade</i>	:	2	with additional merit*
耗水量 <i>Water Consumption</i>	:	3.3	公升/分鐘 <i>litres/minute</i>

*with additional merit of "Automatic closing mechanism"

簽發日期: 30 November 2020
Date of Issue:

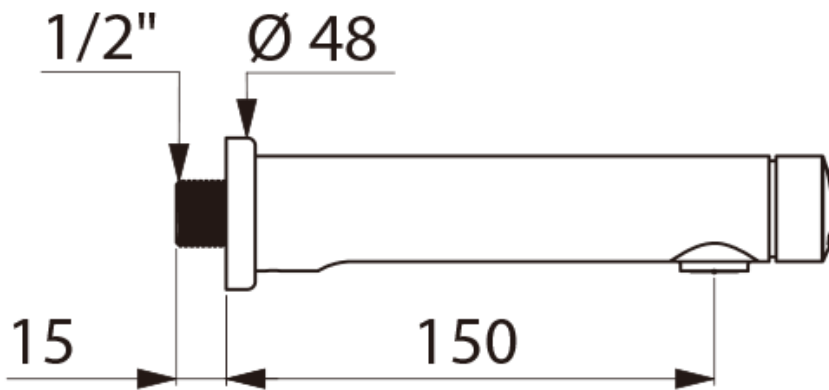
 水務署
Water Supplies Department



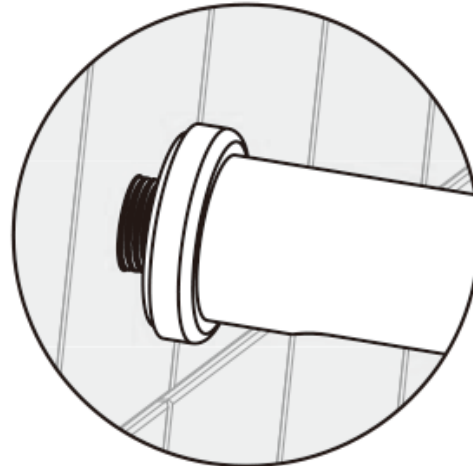
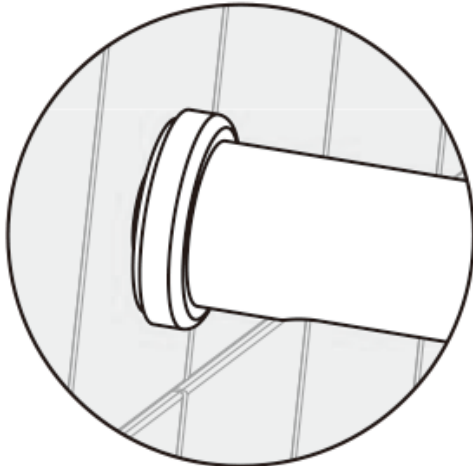
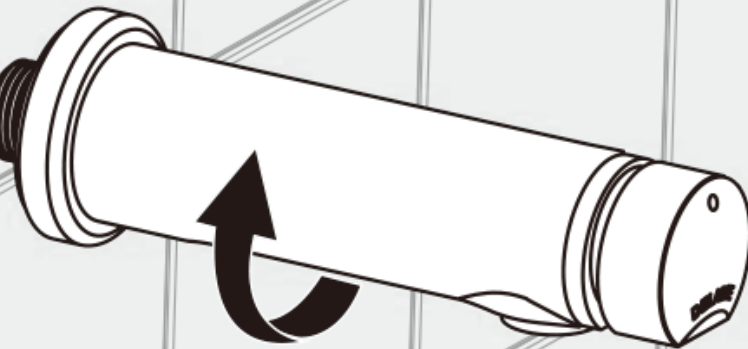
水務署署長(張業駒代行)
for Director of Water Supplies

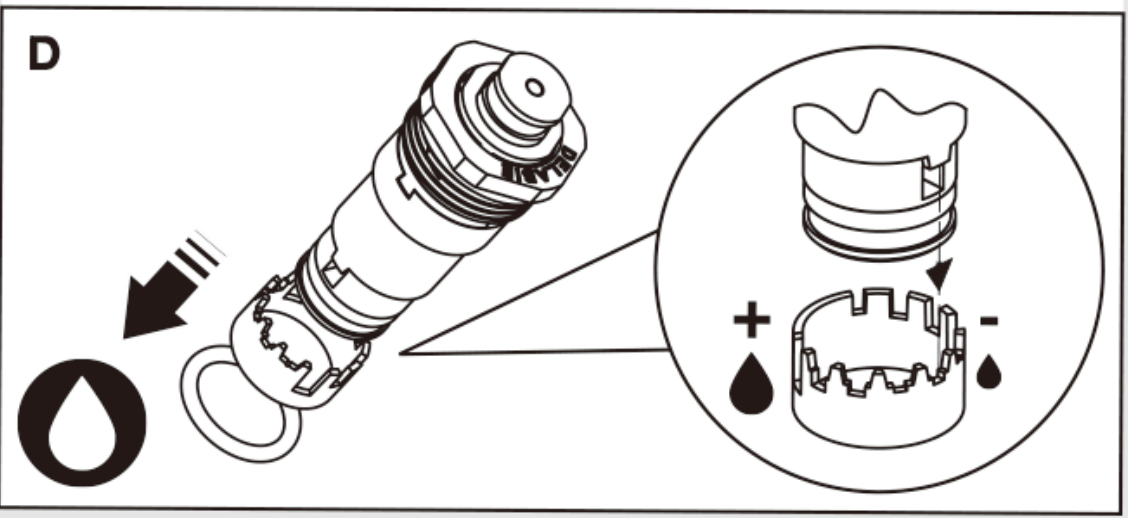
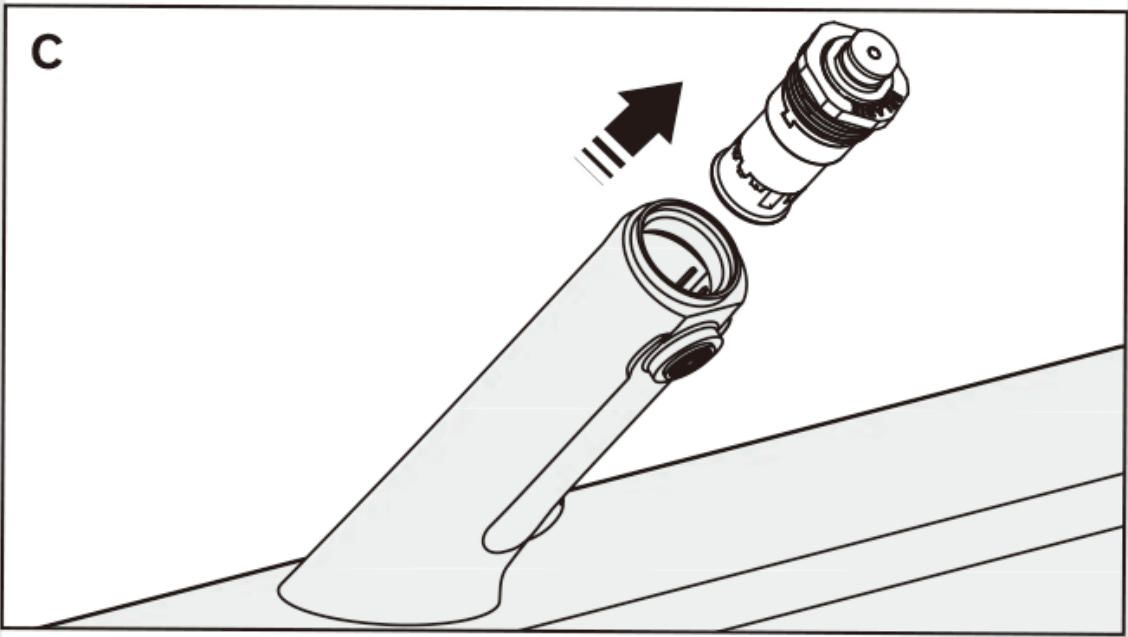
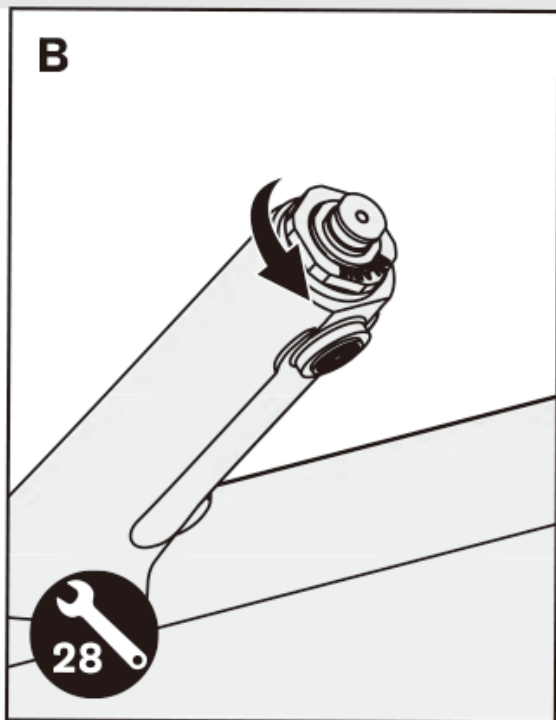
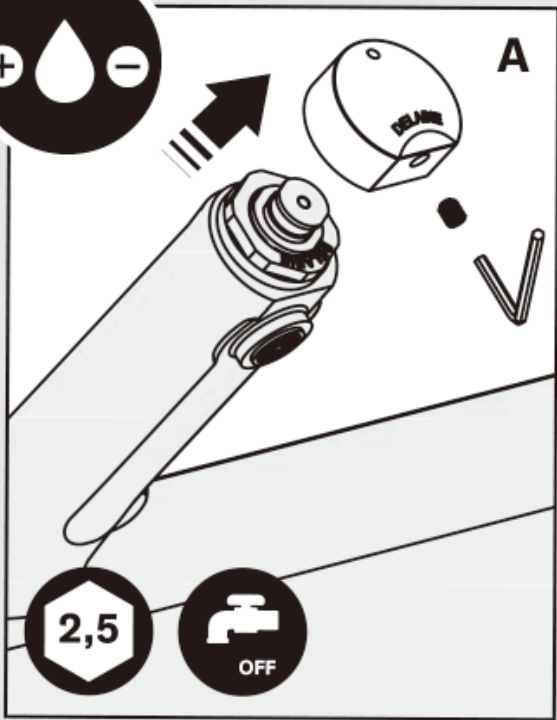
3

**741000 - 741500 - 741510AS - 741515
741550 - 741565**



A







水務署
Water Supplies Department

總部 Headquarters

香港灣仔告士打道七號入境事務大樓 48 樓

48/F, Immigration Tower, 7 Gloucester Road, Wan Chai, Hong Kong

本署檔號 : (6) in WSD 3321/2023 T/J(490/2023)
Our ref.
來函檔號 :
Your ref.

電話 :
Tel.
傳真 : 2824 0578
Fax.

24 August 2023

**Approval of “DELABIE” Self Closing Tap
(General Acceptance No. B20230010)**

Your letter ref. 741500 dated 9 May 2023 and subsequent submissions received by this department up to 3 August 2023 refer.

It is noted that the fitting described below has been accepted by the United Kingdom Water Regulations Advisory Scheme (WRAS) to have complied with the requirements of the United Kingdom Water Supply (Water Fittings) Regulations / Scottish Water Byelaws when correctly installed. This Authority accepts that the fitting described below based on the WRAS certificate and test report ref. J28689r1 issued on 5 June 2023 by Nutek Systems (HK) Limited complies with, and its use when correctly installed does not contravene, the Waterworks Ordinance and Regulations.

Name of Manufacturer: Delabie SAS
Country of Origin: France
Brand: Delabie
Details of Fitting: 1/2" Self closing tap
Model: 741500
Body Markings: **DELABIE**



WRAS Approval Number: 2304075

Installation Requirements: R001, R040

(Appendix A of WRAS approval letter refers)

Expiry Date: 15 March 2028

In view of the acceptance by WRAS, this Authority has no objection to the use of the said fitting in fresh water plumbing systems subject to full adherence to Waterworks installation requirements. In particular, you are required to draw your customers' attention to the following installation requirements –

“Installation shall comply with the ‘Installation Requirements & Notes’ of the WRAS’s approval letter concerned.”

A condition of this acceptance is that the fitting to be installed should be replicas of the sample certified by WRAS and no modification should be made to the fitting. This acceptance may be withdrawn at any time if the standard of the fitting installed fails to meet that of the approved sample or if the fitting is found to be unsuitable for use in fresh water plumbing systems.

This acceptance is only applicable to the main body of the fitting, unless otherwise specified.

For the use of the fitting in any project, the General Acceptance Number of this letter must be quoted as a means of identification of acceptance of the fitting by this Authority.

Should you have any enquiries, please contact our Engineer Ms Winnie LO at tel. no. 3583 4086.

Yours faithfully,



(YAU Hau Yin)

for Director of Water Supplies

Encl.

c.c. WSD 3321/1/82] - without catalogue
ME/MC] - with soft copy only