



PROJECT		REF		REV	ITEM CODE	
LOCATION		DATE			PAGE	

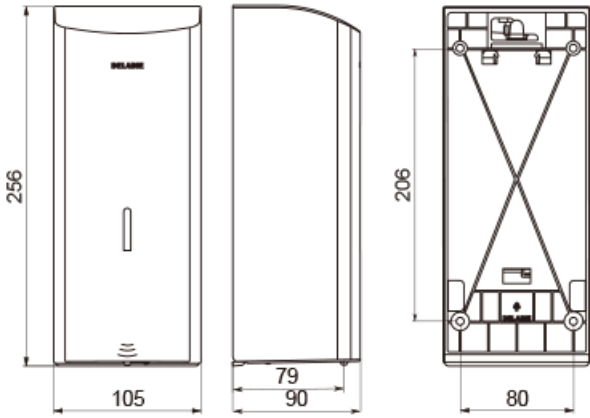
SANITARY WARE SPECIFICATION SHEET

<p>Item Descriptions</p> <p>Model</p> <p>Dimensions</p> <p>Material/ Finish</p> <p>Manufacturer</p> <p>Source</p> <p>Contact Tel/Fax</p> <p>E-mail</p> <p>Website</p>	<p>Delabie (France) Wall-mounted Infra-red automatic soap dispenser Bacteriostatic 304 stainless steel Bright polished finish 0.5 litre</p> <p>512566P</p> <p>L90 x W105 x H196mm</p> <p>304 Stainless Steel / Bright polished</p> <p>Delabie (France)</p> <p>Ka Shing Enterprises (H.K) Limited Mr. Ivan Lau / Mr. GilmanYuen</p> <p>(852) 2628-0661 / (852) 2490-2700</p> <p>project@kashingehk.com</p> <p>www.kashingehk.com</p>	<p>Illustration/ Drawing</p> <p>DESCRIPTION</p> <p>Wall-mounted electronic liquid soap dispenser, 0.5 litre</p> <p>Ref. 512566P (bright polished 304 stainless steel)</p> <p>Ref. 512566S (Satin finish 304 stainless steel)</p> <p>Ref. 512566BK (Matte black 304 stainless steel)</p> <p>Ref. 512566W (white 304 stainless steel)</p> <p>Wall-mounted electronic soap dispenser. Liquid soap or hydroalcoholic gel dispenser. Vandal-resistant model with lock and standard DELABIE key. No manual contact: hands are automatically detected by infrared cell (detection distance can be adjusted). Bacteriostatic 304 stainless steel cover. One-piece hinged cover for easy maintenance and improved hygiene. No-waste pump dispenser: dispenses 0.8ml (can be adjusted up to 7 doses per activation). Option of operation in anti-clogging mode. Automatic soap dispenser: 6 AA -1.5V (DC9V) batteries supplied integrated in the soap dispenser body. Low battery indicator light. Tank with large opening: easy to fill from large containers. Window allows soap level to be checked. Polished satin 304 stainless steel. Stainless steel thickness: 1mm. Capacity: 0.5 litre. Dimensions: 90 x 105 x 196mm. For vegetable-based liquid soap with a maximum viscosity of 3,000 mPa.s. Compatible with hydroalcoholic gel. CE marked.</p> <ul style="list-style-type: none"> Total hygiene: no manual contact Comfort: automatic soap dispenser No-waste pump dispenser Liquid soap or hydroalcoholic gel
--	--	--

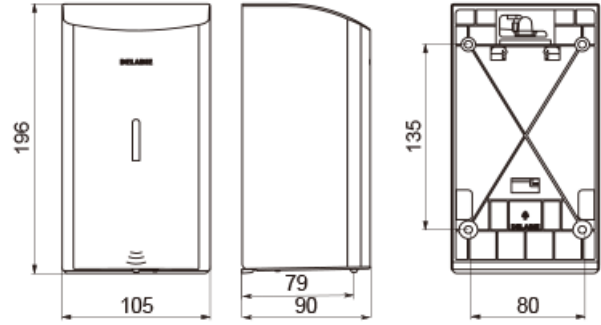
Note:

* All information of the above is for the reference only. No prior notice is made if any changes.

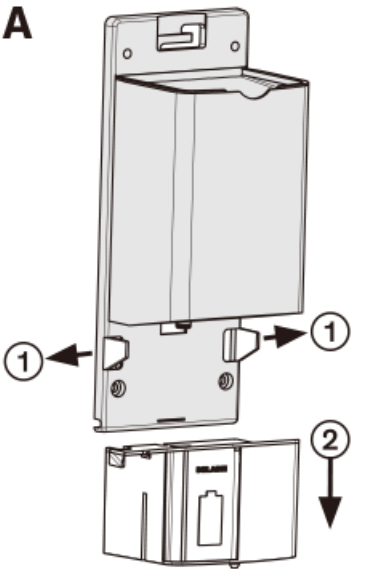
512066



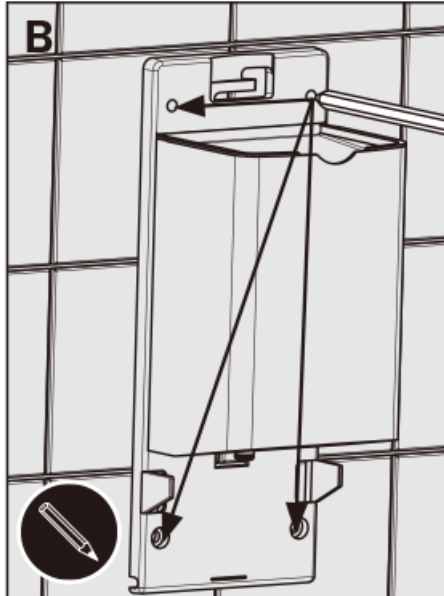
512566



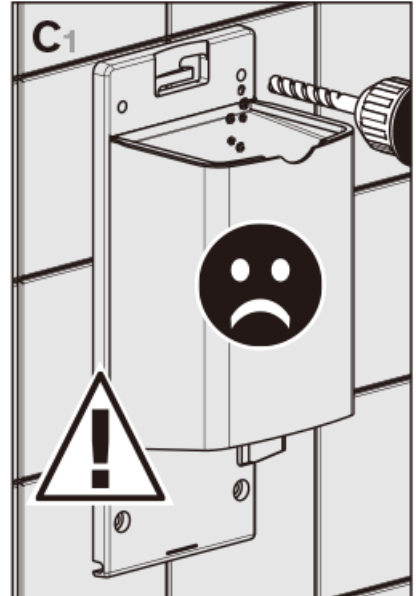
A



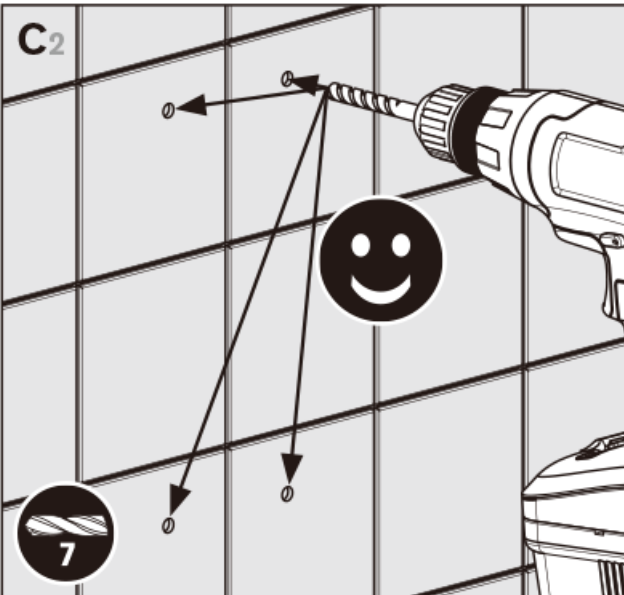
B



C1



C2



D

