
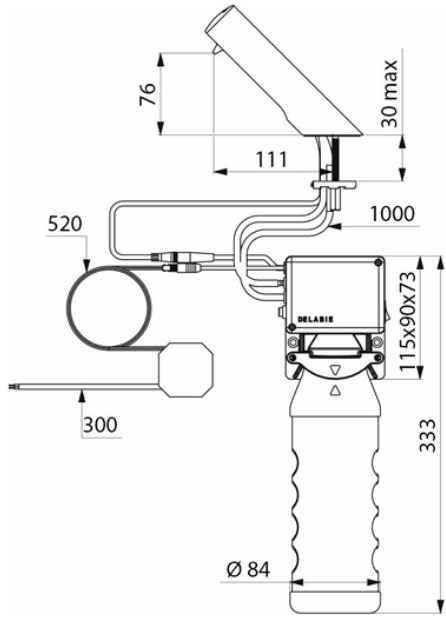




PROJECT		REF		REV	ITEM CODE	
LOCATION		DATE			PAGE	

SANITARY WARE SPECIFICATION SHEET

<p>Item Descriptions</p> <p>Model: 512031P</p> <p>Spout length: 111mm</p> <p>Material: Chrome Plated</p> <p>Manufacturer: Delabie (France)</p> <p>Source: Ka Shing Enterprises (H.K.) Limited Mr. Ivan Lau / Mr. GilmanYuen</p> <p>Contact Tel/Fax: (852) 2628-0661 / (852) 2490-2700</p> <p>E-mail: project@kashingehk.com</p> <p>Website: www.kashingehk.com</p>	<p>Delabie (France) "TEMPOMATIC 4" Deck-mounted electronic liquid soap dispenser with 230/6V transformer 1-litre</p>	<p>Illustration/ Drawing</p>  <ul style="list-style-type: none"> Total hygiene: no manual contact Comfort: automatic soap dispenser No waste pump dispenser Liquid or foam soap or hydroalcoholic gel 												
<p>DESCRIPTION</p> <p>TEMPOMATIC 4 deck-mounted electronic soap dispenser Ref. 512031P</p> <p>Deck-mounted electronic soap dispenser. Liquid soap, mousse or hydroalcoholic gel dispenser. No manual contact: hands are automatically detected by infrared cell. Chrome-plated 304 stainless steel spout. No-waste pump dispenser. Removable, separate electronic unit and tank for installation beneath the work surface. Automatic soap dispenser: mains supply with 230/6V transformer. For vegetable-based liquid soap with a maximum viscosity of 3,000 mPa.s. or special foam soap. Compatible with hydroalcoholic gel. Spout length: 111mm. Supplied with a 1-litre tank.</p> <p>TECHNICAL CHARACTERISTICS</p> <p>TEMPOMATIC 4 deck-mounted electronic soap dispenser - Ref. 512031P</p> <table border="1"> <tr> <td>Supply</td> <td>Mains supply 230/6V</td> </tr> <tr> <td>Technology</td> <td>Infrared sensor</td> </tr> <tr> <td>Drop height</td> <td>76mm</td> </tr> <tr> <td>Spout length</td> <td>111mm</td> </tr> <tr> <td>Volume</td> <td>1-litre tank</td> </tr> <tr> <td>Norms</td> <td></td> </tr> </table>		Supply	Mains supply 230/6V	Technology	Infrared sensor	Drop height	76mm	Spout length	111mm	Volume	1-litre tank	Norms		
Supply	Mains supply 230/6V													
Technology	Infrared sensor													
Drop height	76mm													
Spout length	111mm													
Volume	1-litre tank													
Norms														

Note:

* All information of the above is for the reference only. No prior notice is made if any changes.

