


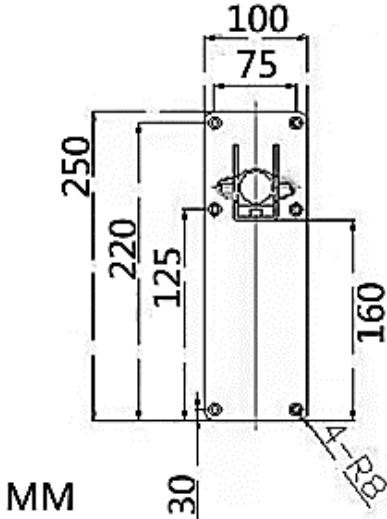

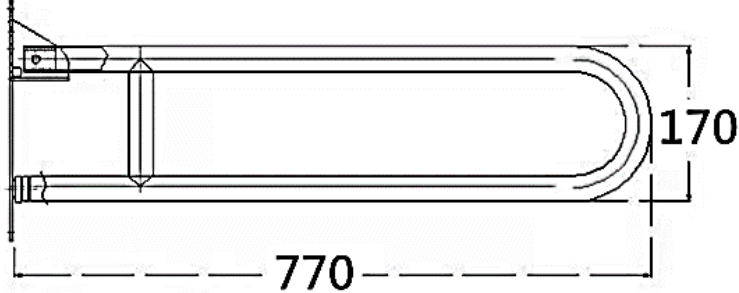




PROJECT		REF		REV	ITEM CODE	
LOCATION		DATE			PAGE	

SANITARY WARE SPECIFICATION SHEET

<p>Item Descriptions</p> <p>Dimensions</p> <p>Model</p> <p>Finish</p> <p>Manufacturer</p> <p>Supplier</p> <p>Contact Tel/Fax</p> <p>E-mail</p> <p>Website</p>	<p>SODUN (PRC) Ø32 x 770mm long stainless steel 304 hinged support rail in satin finish; of carrying a static loading test 150kg ; test report PHY200012(3) ; complied with Barrier Free Access 2008</p> <p>32mm dia x 770mm long</p> <p>803-FU760</p> <p>Stainless Steel</p> <p>SODUN (PRC)</p> <p>Ka Shing Enterprises (H.K.) Limited Mr. Ivan Lau / Mr. GilmanYuen</p> <p>(852) 2628-0661 / (852) 2490-2700 kashing.project@gmail.com www.kashingehk.com</p>	<p>Illustration/ Drawing </p>     <p>MM</p>
<p>配件：爆炸螺丝M8</p>  		

Note:

* All information of the above is for the reference only. No prior notice is made if any changes.



AA Lab Ltd.

Flat 1, 5/F, Fu Cheung Centre,
5-7 Wong Chuk Yeung Street,
Fotan, New Territories,
HONG KONG

Tel: (852) 37050140; Fax: (852) 37050141

www.aalab.com.hk

Client Ref. : --

Page 1 of 2

Report No. : PHY200012(3)

REPORT ON LOADING TEST OF GRAB BAR

Information Supplied by Client

Client : Ka Shing Enterprises (H.K.) Limited
Project : Loading test of grab bar - 150kg
Sample Description : Stainless steel foldable grab bar (不銹鋼傷殘扶手)
Model No. : 803-FU760

Laboratory Information

Lab. Sample I.D. : PHY200012/1
Date Received : 7/5/2020
Date Test Started : 12/5/2020
Date Test Completed : 12/5/2020
Test Method : General Specification 2013 Section 14 Ironmongery Clause 14.07(2)

Test Results

Lab Sample ID	Test Load (kg)	Duration (minute)	Visual damage (e.g. breakage, significant permanent deformation, etc)	Result
PHY200012/1	150	5	No visual damage	Pass

Test description: The grab bar was mounted on a concrete wall. A test load was applied vertically to the mid point of the bar for 5 minute which was then examined for any signs of damage.

Remarks : 1.) The test results relate only to the samples tested.



Checked by : M. f. Lam Date : 2/6/2020 Certified by : ign Date : 2/6/2020

Cheung Chi Ho, Igor
Dept. Head (Physical Testing)



AA Lab Ltd.

Flat 1, 5/F, Fu Cheung Centre,
5-7 Wong Chuk Yeung Street,
Fotan, New Territories,
HONG KONG

Tel: (852) 37050140; Fax: (852)37050141

www.aalab.com.hk

Client ref: --

Report No.: PHY200012(3)

Page: 2 of 2



Test Sample numbered PHY200012/1



Test configuration

*** End of Report ***

